

12

SYSTEM PARTS

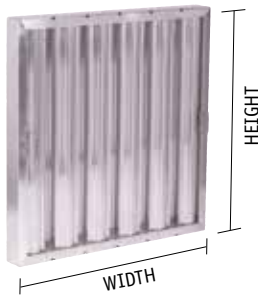


NEW

adjective

\`nū\`

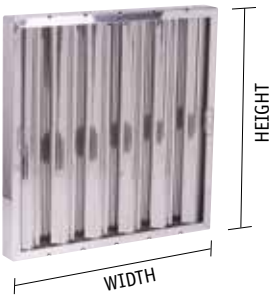
Products and services introduced recently or now for the first time.



FT2020A



FT2020G



FT2020SS



FTHFC



FTHFC In Use



FTKHMGC25

HOOD FILTERS AND ACCESSORIES

FireTech™ ALUMINUM GREASE FILTERS are lightweight for easy handling (replace mesh filters that are no longer acceptable, per NFPA 96). Filters come standard with bale handles. UL listed.

NOTE: Actual height and width measures $\frac{7}{16}$ " less than nominal sizes. All filters measure $1\frac{3}{4}$ " thick.

| P/N | DESCRIPTION | H X W |
|---------|------------------------|-----------|
| FT1016A | Aluminum Grease Filter | 10" x 16" |
| FT1020A | Aluminum Grease Filter | 10" x 20" |
| FT1216A | Aluminum Grease Filter | 12" x 16" |
| FT1220A | Aluminum Grease Filter | 12" x 20" |
| FT1616A | Aluminum Grease Filter | 16" x 16" |
| FT1620A | Aluminum Grease Filter | 16" x 20" |
| FT1625A | Aluminum Grease Filter | 16" x 25" |
| FT2016A | Aluminum Grease Filter | 20" x 16" |
| FT2020A | Aluminum Grease Filter | 20" x 20" |
| FT2025A | Aluminum Grease Filter | 20" x 25" |
| FT2516A | Aluminum Grease Filter | 25" x 16" |
| FT2520A | Aluminum Grease Filter | 25" x 20" |

FireTech™ GALVANIZED GREASE FILTERS

| P/N | DESCRIPTION | H X W |
|---------|--------------------------|-----------|
| FT1616G | Galvanized Grease Filter | 16" x 16" |
| FT1620G | Galvanized Grease Filter | 16" x 20" |
| FT1625G | Galvanized Grease Filter | 16" x 25" |
| FT2016G | Galvanized Grease Filter | 20" x 16" |
| FT2020G | Galvanized Grease Filter | 20" x 20" |
| FT2025G | Galvanized Grease Filter | 20" x 25" |
| FT2516G | Galvanized Grease Filter | 25" x 16" |
| FT2520G | Galvanized Grease Filter | 25" x 20" |

FireTech™ STAINLESS STEEL GREASE FILTERS

| P/N | DESCRIPTION | H X W |
|----------|-------------------------------|-----------|
| FT1616SS | Stainless Steel Grease Filter | 16" x 16" |
| FT1620SS | Stainless Steel Grease Filter | 16" x 20" |
| FT1625SS | Stainless Steel Grease Filter | 16" x 25" |
| FT2020SS | Stainless Steel Grease Filter | 20" x 20" |
| FT2025SS | Stainless Steel Grease Filter | 20" x 25" |
| FT2520SS | Stainless Steel Grease Filter | 25" x 20" |

FireTech™ HOOD FILTER CLIPS allow use of standard filters with **CaptiveAire**-style hoods. No drilling or tools required—installs in seconds. Stainless steel. Pkg/2.

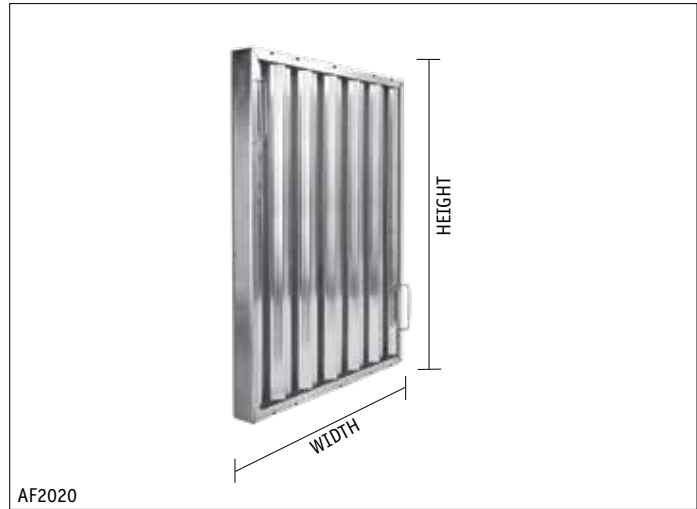
| P/N | DESCRIPTION |
|-------|--------------|
| FTHFC | Filter Clips |

FireTech™ GREASE CUPS feature stainless steel construction and are removable for easy emptying and cleaning. Meets NFPA requirements.

| P/N | DESCRIPTION | H X W X D |
|-----------|----------------------------|---|
| FTSMGC | Grease Cup, Standard Mount | 4 $\frac{1}{4}$ " x 6 $\frac{3}{4}$ " x 2 $\frac{1}{2}$ " |
| FTKHMGC25 | Grease Cup, Key Hole Mount | 4" x 6 $\frac{3}{4}$ " x 2 $\frac{1}{2}$ " |
| FTKHMGC4 | Grease Cup, Key Hole Mount | 4" x 6 $\frac{7}{8}$ " x 4" |

ALUMINUM GREASE FILTERS are lightweight for easy handling (replace mesh filters that are no longer acceptable, per NFPA 96). Filters come standard with bale handles. UL listed.
NOTE: Actual height and width measures $\frac{7}{16}$ " less than nominal sizes. All filters measure $1\frac{3}{4}$ " thick.

| P/N | DESCRIPTION | H X W |
|--------|------------------------|-----------|
| AF1016 | Aluminum Grease Filter | 10" x 16" |
| AF1020 | Aluminum Grease Filter | 10" x 20" |
| AF1216 | Aluminum Grease Filter | 12" x 16" |
| AF1220 | Aluminum Grease Filter | 12" x 20" |
| AF1616 | Aluminum Grease Filter | 16" x 16" |
| AF1620 | Aluminum Grease Filter | 16" x 20" |
| AF1625 | Aluminum Grease Filter | 16" x 25" |
| AF2016 | Aluminum Grease Filter | 20" x 16" |
| AF2020 | Aluminum Grease Filter | 20" x 20" |
| AF2025 | Aluminum Grease Filter | 20" x 25" |
| AF2516 | Aluminum Grease Filter | 25" x 16" |
| AF2520 | Aluminum Grease Filter | 25" x 20" |



GALVANIZED GREASE FILTERS

| P/N | DESCRIPTION | H X W |
|---------|--------------------------|-----------|
| GVF1616 | Galvanized Grease Filter | 16" x 16" |
| GVF1620 | Galvanized Grease Filter | 16" x 20" |
| GVF1625 | Galvanized Grease Filter | 16" x 25" |
| GVF2016 | Galvanized Grease Filter | 20" x 16" |
| GVF2020 | Galvanized Grease Filter | 20" x 20" |
| GVF2025 | Galvanized Grease Filter | 20" x 25" |
| GVF2516 | Galvanized Grease Filter | 25" x 16" |
| GVF2520 | Galvanized Grease Filter | 25" x 20" |



STAINLESS STEEL GREASE FILTERS

| P/N | DESCRIPTION | H X W |
|---------|-------------------------------|-----------|
| SSF1616 | Stainless Steel Grease Filter | 16" x 16" |
| SSF1620 | Stainless Steel Grease Filter | 16" x 20" |
| SSF1625 | Stainless Steel Grease Filter | 16" x 25" |
| SSF2020 | Stainless Steel Grease Filter | 20" x 20" |
| SSF2025 | Stainless Steel Grease Filter | 20" x 25" |
| SSF2520 | Stainless Steel Grease Filter | 25" x 20" |

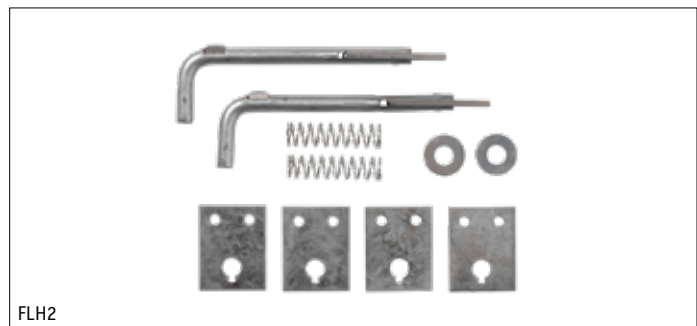


Aluminum **LOCKING HANDLE GREASE FILTERS** are required in MD, VA, and Washington, D.C.

| P/N | DESCRIPTION | H X W |
|---------|------------------------------|-----------|
| LHF2020 | Locking Handle Grease Filter | 20" x 20" |
| LHF2025 | Locking Handle Grease Filter | 20" x 25" |
| LHF2520 | Locking Handle Grease Filter | 25" x 20" |

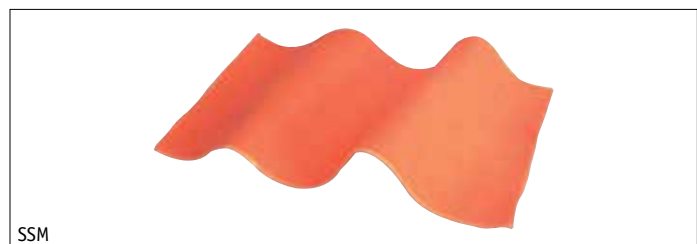
FILTER LOCKING HANDLES come complete with springs, washers, clips, and instructions. Pkg/2.

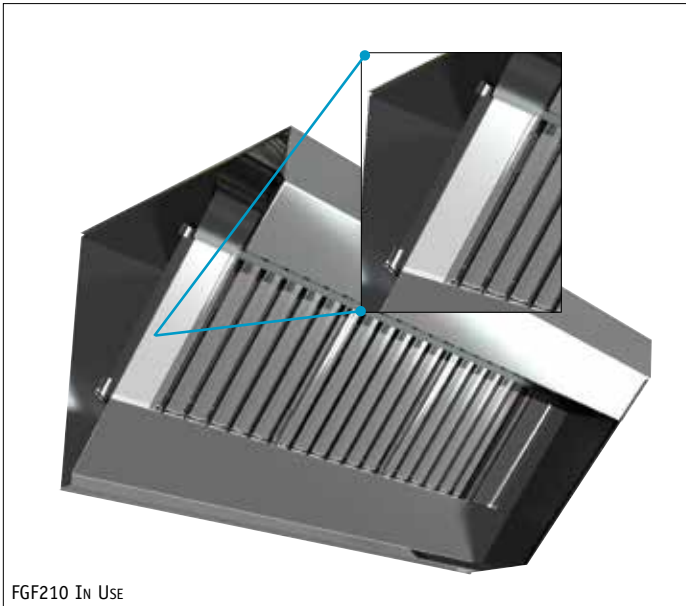
| P/N | DESCRIPTION |
|------|----------------|
| FLH2 | Filter Handles |



Our **SYSTEM SERVICE MAT** keeps your feet cool, while protecting appliances, during system maintenance. Made of highly texturized silica-based yarns, it is asbestos-free and heat resistant (up to 2000°F). 20" x 36".

| P/N | DESCRIPTION |
|-----|-------------|
| SSM | System Mat |





FGF210 In Use

Fill in the uncovered plenum space that results from using standard-size filters with **FireTech™ FILTER SPACERS**. They offer 20 ga 430 stainless steel construction with brushed finishes.

NOTE: Never place fusible links directly above a spacer, due to limited air flow. Actual heights are $\frac{7}{16}$ " shorter than listed.

| P/N | DESCRIPTION | H X W |
|--------|---------------|----------|
| FGF210 | Filter Spacer | 10" x 2" |
| FGF212 | Filter Spacer | 12" x 2" |
| FGF216 | Filter Spacer | 16" x 2" |
| FGF220 | Filter Spacer | 20" x 2" |
| FGF225 | Filter Spacer | 25" x 2" |
| FGF310 | Filter Spacer | 10" x 3" |
| FGF312 | Filter Spacer | 12" x 3" |
| FGF316 | Filter Spacer | 16" x 3" |
| FGF320 | Filter Spacer | 20" x 3" |
| FGF325 | Filter Spacer | 25" x 3" |
| FGF410 | Filter Spacer | 10" x 4" |
| FGF412 | Filter Spacer | 12" x 4" |
| FGF416 | Filter Spacer | 16" x 4" |
| FGF420 | Filter Spacer | 20" x 4" |
| FGF425 | Filter Spacer | 25" x 4" |



FP1230



FTHLFCG

HOOD LIGHT FIXTURES

| P/N | DESCRIPTION |
|------------|---|
| FTHLFCG | UL Listed Coated Globe w/ Aluminum Fixture |
| FTHLFCGWC | UL Listed Coated Globe w/ Aluminum Fixture & Wire Cover |
| FTHLFNCG | UL Listed Non-Coated Globe w/ Aluminum Fixture |
| FTHLFNCGWC | UL Listed Non-Coated Globe w/ Aluminum Fixture & Wire Cover |
| FTHLFB | Fixture Base, $5\frac{3}{8}$ " x $2\frac{3}{8}$ " |
| FTHLCG | Coated Glass Globe, $6\frac{3}{4}$ " x $3\frac{3}{8}$ " |
| FTHLTG | Tempered Glass Globe, $6\frac{3}{4}$ " x $3\frac{3}{8}$ " |
| FTHLWG | Wire Guard Only, $7\frac{1}{4}$ " x $4\frac{1}{2}$ " |

Brooks' FRYER PANELS are made from stainless steel with deburred edges and have a large radius corner for protection. Meets NFPA 96, which requires that a plate be installed when a fryer is closer than 16" to surface flames on an adjacent appliance.

| P/N | DESCRIPTION | H X W X D |
|--------|-------------|-----------|
| FP1230 | Fryer Panel | 12" x 30" |
| FP1830 | Fryer Panel | 18" x 30" |



FTEFGC14

EXHAUST FAN GREASE BOXES

| P/N | DESCRIPTION | H X W X D |
|----------|------------------------|--|
| FTEFGC14 | Exhaust Fan Grease Box | $14\frac{1}{4}$ " x $5\frac{1}{8}$ " x $4\frac{1}{16}$ " |
| FTEFGC17 | Exhaust Fan Grease Box | $17\frac{1}{16}$ " x $5\frac{1}{8}$ " x $3\frac{3}{4}$ " |
| FTEFGC24 | Exhaust Fan Grease Box | 24" x $5\frac{1}{8}$ " x $3\frac{3}{4}$ " |



FTEFHK9

EXHAUST FAN HINGE KIT

| P/N | DESCRIPTION | H X W |
|----------|-----------------------|--------------------------------------|
| FTEFHK9 | Exhaust Fan Hinge Kit | $9\frac{1}{4}$ " x $7\frac{5}{8}$ " |
| FTEFHK11 | Exhaust Fan Hinge Kit | $11\frac{1}{4}$ " x $7\frac{5}{8}$ " |

Simple to install, **Ductmate® Sandwich® DUCT ACCESS DOORS** provide easy access and a leak-resistant seal to grease ducts or high-temperature duct systems. Includes stick-on template for hole cutting. All fit rectangular ducts except as noted in the description. **NOTE:** Call the Sales Department for complete specs.

| P/N | DESCRIPTION | DOOR SIZE | MAX TEMP RATING |
|-------------|---|-----------|-----------------|
| DC8GA | Circular Clean-Out | 9" Dia | 200° |
| DU106GA | Sandwich, Non-Insulated | 11" x 7" | 200° |
| DU128GA | Sandwich, Non-Insulated | 13" x 9" | 200° |
| DI128GA | Sandwich, Insulated | 13" x 9" | 200° |
| D106F1GA | Hi-Temp | 11" x 7" | 1000° |
| D128F1GA | Hi-Temp | 13" x 9" | 1000° |
| D106F2GA | Hi-Temp Grease Duct | 11" x 7" | 2300° |
| D128F2GA | Hi-Temp Grease Duct | 13" x 9" | 2300° |
| D1814F2GA | Hi-Temp Grease Duct | 19" x 15" | 2300° |
| D1612F2GA | Hi-Temp Grease Duct | 17" x 13" | 2300° |
| DRU12814GA | Non-Insulated For 12"-14" Round Duct | 13" x 9" | 200° |
| DRU161224GA | Non-Insulated For 23"-24" Round Duct | 17" x 13" | 200° |

→ **More DOOR SIZES Available - Call for Pricing.**

UL 1978 listed, **Ductmate® Ultimate Door™ DUCT ACCESS DOORS** meet NFPA 96 standards and are simple to install—no welding, drilling, or special tools needed. Doors are tough, consisting of two layers of 11 ga steel and a high-temperature ceramic board (rated to 2300°). Self-adhesive templates for making duct openings are included. All fit rectangular ducts except as noted in the description. **NOTE:** For steel duct use only! Stainless steel doors available for stainless steel ducts. Allow 4" clearance for rectangle duct doors.

| P/N | DESCRIPTION | DOOR SIZE | MAX TEMP RATING |
|-------------|-------------------------------------|-----------|-----------------|
| D106ULBI | Ultimate Door | 12" x 8" | 2300° |
| D1010ULBI | Ultimate Door | 12" x 12" | 2300° |
| D128ULBI | Ultimate Door | 14" x 10" | 2300° |
| D1814ULBI | Ultimate Door | 20" x 16" | 2300° |
| DR10612ULBI | Ultimate Door For 12" Round Duct | 12" x 8" | 2300° |
| DR12812ULBI | Ultimate Door For 12" Round Duct | 14" x 10" | 2300° |

FireTech™ ACCESS DOORS allow easy access for inspection and cleaning of exhaust ducts. Gasketed models rated up to 2300°F. Meets NFPA 96 requirement. **NOTE:** Allow 4" clearance for rectangle duct doors.

| P/N | DESCRIPTION | DOOR SIZE | MAX TEMP RATING |
|---------------|---|-----------|-----------------|
| FT106HTAD | Rect Duct Access Door | 11" x 7" | 2300° |
| FT128HTAD | Rect Duct Access Door | 13" x 9" | 2300° |
| FT1814HTAD | Rect Duct Access Door | 19" x 15" | 2300° |
| FTR10612HTAD | Round Duct Access Door For 9-12" Round Duct | 11" x 7" | 2300° |
| FTR12815HTAD | Round Duct Access Door For 12-15" Round Duct | 13" x 9" | 2300° |
| FTR12818HTAD | Round Duct Access Door For 16-18" Round Duct | 13" x 9" | 2300° |
| FTR161224HTAD | Round Duct Access Door For 21-24" Round Duct | 17" x 13" | 2300° |
| FTR10612NIAD | Round Duct Access Door For 9-12" Round Duct | 11" x 7" | 750° |
| FTR12815NIAD | Round Duct Access Door For 12-15" Round Duct | 13" x 9" | 750° |
| FTR12818NIAD | Round Duct Access Door For 16-18" Round Duct | 13" x 9" | 750° |
| FTR161224NIAD | Round Duct Access Door For 21-24" Round Duct | 17" x 13" | 750° |



DC8GA



DU106GA



D106F2GA



D1612F2GA



DRU12814GA



D106ULBI



DR10612ULBI



FT106HTAD



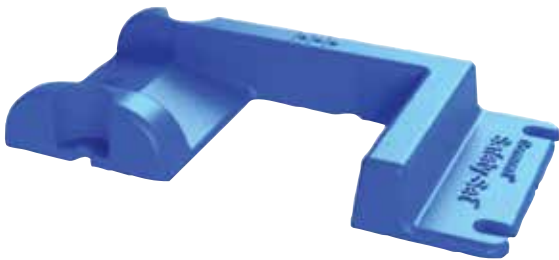
APPSET In Use

This **FireTech™ APPSET** allows accurate and consistent repositioning of kitchen equipment after cleaning or maintenance, in accordance with NFPA 96 and NFPA 17A requirements. The dual ramp design of the polyurethane **APPSET** enables installation on either side of a variety of castor wheel sizes. Sold in pairs.

| P/N | DESCRIPTION |
|--------|--------------------|
| APPSET | Appliance Brackets |

SAFETY-SET BRACKETS are designed to precisely relocate mobile cooking equipment under the exhaust hood, at the approved designed location, in accordance with NFPA 96 and NFPA 17A requirements. Each pair of **Safety-Set Brackets** include installation hardware.

| P/N | DESCRIPTION |
|-----|---------------------|
| PS2 | Safety-Set Brackets |



PS2

Flame•Safe's FIRESTOP CAULK seals penetrations in fire walls and is UL classified under "Fill or Cavity Materials." It produces a sandable, paintable surface with up to a three-hour fire rating. Water based (no solvents or silicones). 10.3 oz tube. Red.

WARNING: Not for hood use!

| P/N | DESCRIPTION |
|-------|---|
| FS900 | Firestop Caulk Data Sheet Online at BrooksEquipment.com |



FS900



HS1

Made of 100% silicone, this **HOOD CAULK** can be applied overhead (up to 400°F) and meets federal and NSF standards for food service use. 10.3 oz tube. Gray (aluminum color).

NOTE: Does not meet NFPA requirements for sealing hood penetrations.

| P/N | DESCRIPTION |
|-----|-------------|
| HS1 | Hood Caulk |



DIW25 In Use

When installed per the manufacturer's instructions, a two-layer **FYREWAP ELITE 1.5** installation on grease ducts creates a 2-Hour Fire Rated enclosure with zero clearance to combustibles. 2' x 25'.

| P/N | DESCRIPTION |
|-------|--------------------|
| DIW25 | Fyrewrap Elite 1.5 |

Brooks' biodegradable **STAINLESS STEEL CLEANER/POLISH** is a clear, thin liquid with a pleasant smell. It does not contain harsh ingredients nor will it harm skin or metal surfaces (when used as directed). Perfect for use in restaurants and other buildings with stainless steel, brass, or bronze surfaces.

| P/N | DESCRIPTION |
|--------|---------------------------------------|
| BRSSPQ | Stainless Steel Cleaner/Polish, 1 qt |
| BRSSPG | Stainless Steel Cleaner/Polish, 1 gal |



BRSSPQ



BRSSPG

Sheila Shine STAINLESS STEEL CLEANER/POLISHER removes grease film and finger marks and covers scratches, leaving a protective coating that preserves surfaces.

NOTE: Low VOC formula versions comply with CARB regulations and are suitable for sale and distribution in California.

| P/N | DESCRIPTION |
|----------|---|
| △SSCPA | Stainless Steel Cleaner/Polish, 10 oz Aerosol |
| △SSCPQ | Stainless Steel Cleaner/Polish, 1 qt |
| △SSCPG | Stainless Steel Cleaner/Polish, 1 gal |
| △SSCA10 | Stainless Steel Cleaner/Polish (Low VOC Formula), 10 oz Aerosol |
| △SSCA32 | Stainless Steel Cleaner/Polish (Low VOC Formula), 1 qt |
| △SSCA128 | Stainless Steel Cleaner/Polish (Low VOC Formula), 1 gal |



SSCPG

COMMERCIAL APPLIANCE CLEANERS include **Grease Out**, which safely removes carbonized soils and greases from grills and oven surfaces. **Slash** oven, grill, and fryer cleaner handles moderately soiled stovetops, burners, griddles, and deep fryers. For the really tough jobs, **Blast** thickened oven cleaner cuts through grease, fats, and burnt-on foods in ovens and on ranges, range hoods, vents, grills, and broilers.

NOTE: Not for use on soft metals. For shipping, SLASH1 and BLAST1 must be sold in case quantity of four.

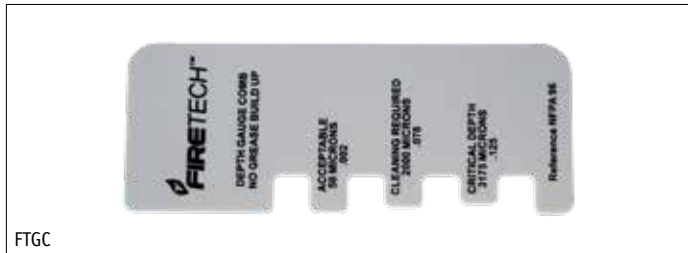
| P/N | DESCRIPTION |
|--------|--|
| OCA18 | Grease Out Oven Cleaner, 18 oz Aerosol, Pkg/12 |
| SLASH1 | Slash Oven, Grill, & Fryer Cleaner, 1 gal, Pkg/4 |
| BLAST1 | Blast Oven Cleaner & Degreaser, 1 gal, Pkg/4 |



OCA18



SLASH1



FTGC

HOOD CLEANING SUPPLIES AND TOOLS

This plastic **FireTech™ GREASE COMB** accurately measures the amount of grease buildup on hoods, fans, ducts, and other surfaces using depth-gauge teeth (clearly printed in microns).

6"L x 2⁵/₁₆"H x 1¹/₈"W. White.

| P/N | DESCRIPTION |
|------|-------------|
| FTGC | Grease Comb |



KCW180



KCHWM w/ KCHDW475 In Use

WypAll® WIPERS provide better absorption than shop rags and come in different thicknesses for different jobs. Using **Hydroknit®** technology, they combine excellent absorbing power in a lightweight wiper that takes up less space than rags. The **JUMBO ROLL DISPENSER** makes dispensing wipers easy.

| P/N | DESCRIPTION |
|----------|---|
| KCW180 | Brag Box Wipers, 12 ¹ / ₂ " x 16 ³ / ₄ ", White, Box/180 Replaces 25 lb of Scrap Rags |
| KCHDW475 | Jumbo Roll Wipers, 12 ¹ / ₂ " x 13 ³ / ₈ ", Red, Roll/475 Replaces 75 lb of Scrap Rags |
| KCHDD | Jumbo Roll Dispenser, 16 ³ / ₄ "L x 33"H x 18 ¹ / ₂ "W |
| KCHWM | Jumbo Roll Wall Mount Dispenser, 16 ³ / ₄ "L x 8 ³ / ₄ "H x 10 ³ / ₄ "W |



KCHDD w/ KCHDW475 In Use



KCST55

Scott® SHOP TOWELS are strong, soft, and absorbent and work like cloths. They are great for wiping hands and cleaning tools and easily absorb liquids, oil, and grease. They fit on standard towel holders for convenient dispensing. **Scott® RAGS IN A BOX** are specifically designed for hands-on work. These soft, absorbent towels perform with the strength, durability, and absorbency of a cloth and come in a convenient **Pop-Up Box** with a built-in handle for easy transport.

| P/N | DESCRIPTION |
|---------|--|
| KCST55 | Shop Towels, 10 ³ / ₈ " x 11", Blue, Roll/55 |
| KCRB200 | Rags In A Box, 10" x 13", White, Box/200 |



KCRB200



PS1003

Clear **PLASTIC SHEETING** is ideal for keeping appliances protected from dirt, grime, and chemicals. Dispensed from a 4' roll.

| P/N | DESCRIPTION |
|---------|---------------------------------------|
| PS1003 | Plastic Sheeting, 12' x 100', 3 mil |
| PS10015 | Plastic Sheeting, 16' x 100', 1.5 mil |



→ NEW

LS10500

HOOD GREASE SCRAPERS come with a 4" heavy-duty blade for maximum hood-cleaning efficiency. **LABEL SCRAPERS** come with a standard razor blade and a trigger for safe, easy blade adjustment.

| P/N | DESCRIPTION |
|-----------|---|
| SB109 | Razor Blades, Pkg/100 |
| LS105* | Label Scraper w/ Razor Blade |
| → LS10500 | Label Scraper w/ Razor Blade & Soft Grip |
| HS690* | Hood Grease Scraper w/ 9" Steel Handle |
| → HS34690 | Hood Grease Scraper w/ Threaded Soft Grip, 11 ³ / ₈ ", Steel Handle |
| SB698 | Replacement Blades, Pkg/10 |

For HS690

*WHILE QUANTITIES LAST!



→ NEW

HS34690

Our **FOLDING RAZOR SCRAPER** has a quick release so it can be folded, tucking the blade away safely. 8" open, 5" closed.

| P/N | DESCRIPTION |
|-------|-----------------|
| HS723 | Folding Scraper |



HS723

These economical **SAFETY GOGGLES** feature a comfortable, soft frame; direct ventilation; and a wide, one-piece polycarbonate lens. Meets ANSI Z87.1+ requirements. 99.9% UV protection. Clear frame, clear lens.

| P/N | DESCRIPTION |
|--------|----------------|
| △EW201 | Safety Goggles |



EW201

PROTECTIVE COVERALLS come with open wrists and ankles, serged seams, and a front zipper and collar.

| P/N | DESCRIPTION | SIZE |
|--------|---------------------------------|-----------|
| 555L | Coveralls, White | LG |
| 555XL | Coveralls, White | XL |
| 555XXL | Coveralls, White | 2XL |
| TYBC | 18" Boot Covers, Non-Skid, Gray | Universal |



TYBC In Use

MCR's 15" STEEL TOE PVC BOOTS feature a heavy-duty over-the-sock design and cleated soles with traction grips. Flexible and 100% waterproof, with polyester linings and kick-off lugs for easy on/off, they offer excellent comfort and abrasion resistance. Steel toe meets ASTM 2412 and ASTM 2413 specifications. Black.

| P/N | DESCRIPTION | SIZE |
|--------|---------------|------|
| △STB10 | 15" PVC Boots | 10 |
| △STB11 | 15" PVC Boots | 11 |
| △STB12 | 15" PVC Boots | 12 |
| △STB13 | 15" PVC Boots | 13 |
| △STB14 | 15" PVC Boots | 14 |



555L



STB10

WARNING: This product may contain a chemical known to the State of California to cause cancer and/or birth defects or other reproductive harm.

In Use photos may show items not included or available separately.



NFPA1717



IT525

For nearly a century, people have relied on **NFPA® PUBLICATIONS**—your blueprints to safety.

| P/N | DESCRIPTION |
|-----------|---|
| NFPA1717 | NFPA 17: Standard for Dry Chemical Extinguishing Systems, 2017 ed |
| NFPA17A17 | NFPA 17A: Standard for Wet Chemical Extinguishing Systems, 2017 ed |
| NFPA9617 | NFPA 96: Standard for Ventilation Control & Fire Protection of Commercial Cooking Operations, 2017 ed |

For other NFPA Publications, See Page 58

Raytek's MiniTemp® INFRARED LASER THERMOMETER

measures surface temperatures, identifying potential problems before they start. Or, as in the case of fusible links, it demonstrates the temperature at which they may activate. Safe, fast, and contamination-free, its infrared technology provides nearly instantaneous readings without actually touching an object.

MiniTemp is small enough to fit in your pocket and includes a backlit display for easy viewing and a laser point to pinpoint your target.

SPECIFICATIONS

Temperature Range: 0°F to 750°F Max

Target Distance: 4'

Accuracy: +/- 3°F or 2% of reading, whichever is greater

| P/N | DESCRIPTION |
|-------|-------------------|
| IT525 | Laser Thermometer |



BL500

These **500°F TEMPERATURE LABELS** feature dots that turn black when the required temperature is reached, indicating the links are reacting as designed. Labels are 1/2" square with a 1/4" dot center. Card/21.

| P/N | DESCRIPTION |
|-------|--------------------|
| BL500 | Temperature Labels |



SMOKE CARTRIDGES

Regin SMOKE CARTRIDGES are easy to handle, non-explosive, and great for studying exhaust air and smoke stacks or leak-testing duct work, pipelines, and tanks.

| P/N | DESCRIPTION | WEIGHT | SMOKE VOL. | BURN TIME |
|------|-------------|---------|--------------|-----------|
| S102 | Fumax | 0.10 oz | 150 cu ft | 45 sec |
| S103 | Fumax KS | 0.33 oz | 600 cu ft | 1 1/2 min |
| S104 | Ventax | 0.66 oz | 1200 cu ft | 3-4 min |
| S105 | Brandax | 2.11 oz | 2500 cu ft | 3-4 min |
| S107 | Brandax KS | 1 lb | 18,000 cu ft | 5-6 min |

SYSTEM TEST BALLOONS are used to show the AHJ that the chemical lines are open. Pkg/25.

WARNING: Do not use for chemical discharge!

| P/N | DESCRIPTION |
|---------|---------------|
| FTSTB25 | Test Balloons |



FTSTB25 In Use

Easy-to-cut **TEST LINKS** are used in place of fusible links for testing detection lines. They are the same size as **Globe Model ML, K, B** links, and **Tyco®, SL, and HL** links. Pkg/10.

| P/N | DESCRIPTION |
|------|-------------|
| GTL1 | Test Links |



GTL1

FUSIBLE LINKS AND HEAT DETECTORS

JOB Thermo Bulb® LINKS can be used for the activation of water, foam, dry chemical, and CO₂ or other gaseous-based fire extinguishing equipment. They can also be used with fire dampers, smoke vents, and ventilation ducts. All links utilize **JOB's F2.5 Thermo Bulb** technology. These UL 33 listed, quick response links activate at zero load (no minimum load requirement) and have a maximum permanent load of 55 lb. Pkg/5.

| P/N | DESCRIPTION |
|--------|---------------------------|
| J286QR | 286°F Quick Response Link |
| J360QR | 360°F Quick Response Link |
| J450QR | 450°F Quick Response Link |
| J500QR | 500°F Quick Response Link |

Models **SL** and **A-PC FUSIBLE LINKS** are fixed temperature releasing devices that are thermally actuated. They are tested and listed for use with **ANSUL®** restaurant fire suppression systems and industrial fire suppression systems through Underwriters Laboratories (UL/ULC). Designed for straight pull load applications (**SL**: 50 lb and **A-PC** 40 lb).

| P/N | DESCRIPTION |
|-----------|-------------------------------|
| → A439085 | 165°F Model SL Link, Pkg/25 |
| → A439086 | 212°F Model SL Link, Pkg/25 |
| → A439087 | 280°F Model SL Link, Pkg/25 |
| → A439088 | 360°F Model SL Link, Pkg/25 |
| → A439089 | 450°F Model SL Link, Pkg/25 |
| → A439227 | 165°F Model A-PC Link, Pkg/10 |
| → A439228 | 212°F Model A-PC Link, Pkg/10 |
| → A439229 | 280°F Model A-PC Link, Pkg/10 |
| → A439230 | 360°F Model A-PC Link, Pkg/10 |
| → A439231 | 450°F Model A-PC Link, Pkg/10 |
| → A439232 | 500°F Model A-PC Link, Pkg/25 |

Thermotech HEAT DETECTORS are of the rate compensation type—normally open, self-restoring, and vertical mounting only. They are UL listed, FM approved (except for **EPM194**), and California listed for 50' x 50' areas. **AW135** and **AW194** are hermetically sealed for moistureproof and dustproof installations and require no special back box when properly spliced to "THW" (or equivalent type wire), and splices are moistureproof. **NOTE:** Not for use in direct sunlight. Call the sales department for technical support.

| P/N | DESCRIPTION |
|--------|--|
| 135T | Heat Detector, Interior, 135°F |
| 194T | Heat Detector, Interior, 194°F |
| AW135 | Heat Detector, All-Weather, Surface Mount, 135°F |
| AW194 | Heat Detector, All-Weather, Surface Mount, 194°F |
| ET135 | Heat Detector, All-Weather, 135°F |
| ET194 | Heat Detector, All-Weather, 194°F |
| EPM194 | Heat Detector, Explosionproof, 194°F |



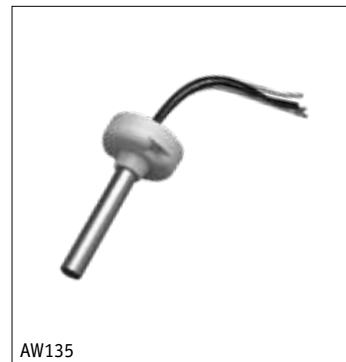
J286QR



A439231



135T



AW135



ET194



K LINK



Globe MODEL K FUSIBLE LINKS are UL listed and UL classified for use with extinguishing systems. Load range 3–50 lb.
NOTE: Order in bags of 20 to receive UL classified links with cross reference chart.

| P/N | DESCRIPTION |
|-------|--------------------|
| G165K | 165°F Model K Link |
| G212K | 212°F Model K Link |
| G280K | 280°F Model K Link |
| G360K | 360°F Model K Link |
| G450K | 450°F Model K Link |



ML LINK



Globe MODEL ML FUSIBLE LINKS are UL listed and UL classified for use with extinguishing systems. Load range 10–40 lb.
NOTE: Order in bags of 20 to receive UL classified links with cross reference chart.

| P/N | DESCRIPTION |
|--------|---------------------|
| G135ML | 135°F Model ML Link |
| G165ML | 165°F Model ML Link |
| G212ML | 212°F Model ML Link |
| G280ML | 280°F Model ML Link |
| G360ML | 360°F Model ML Link |
| G450ML | 450°F Model ML Link |
| G500ML | 500°F Model ML Link |



A LINK



Globe MODEL A FUSIBLE LINKS are UL listed, and the **G360A** is UL classified for use with extinguishing systems. Load range 3–45 lb.
NOTE: Order the G360A in bags of 20 to receive UL classified links with cross reference chart.

| P/N | DESCRIPTION |
|-------|--------------------|
| G165A | 165°F Model A Link |
| G212A | 212°F Model A Link |
| G280A | 280°F Model A Link |
| G360A | 360°F Model A Link |
| G450A | 450°F Model A Link |



D LINK



Globe MODEL B FUSIBLE LINKS are UL listed and FM approved for use with extinguishing systems. Load range 3–20 lb.

| P/N | DESCRIPTION |
|-------|--------------------|
| G135B | 135°F Model B Link |
| G165B | 165°F Model B Link |
| G212B | 212°F Model B Link |
| G280B | 280°F Model B Link |
| G360B | 360°F Model B Link |

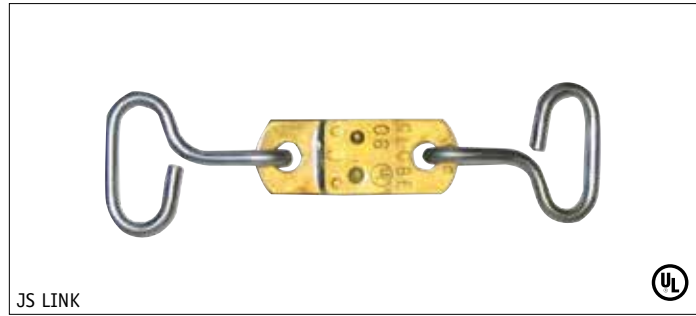
Globe MODEL D FUSIBLE LINK is UL listed with a load range of 1–8 lb.

| P/N | DESCRIPTION |
|-------|--------------------|
| G165D | 165°F Model D Link |

Fusible links used in cooking operations should be replaced during semi-annual maintenance, unless conditions require more frequent replacement. To verify that proper maintenance has been performed, write the date of installation and the date of the fusible link on the inspection tag.

Globe MODEL JS FUSIBLE LINKS are specifically designed for standard-type fire dampers and have a load range of 3–10 lb. UL listed.

| P/N | DESCRIPTION |
|--------|---------------------|
| G165JS | 165°F Model JS Link |
| G212JS | 212°F Model JS Link |



Globe MODEL J FUSIBLE LINKS are heat activated and made with brass components to resist corrosion. They have a high-strength symmetrical shape with a load range of 3–10 lb. UL listed.

| P/N | DESCRIPTION |
|-------|--------------------|
| G165J | 165°F Model J Link |
| G212J | 212°F Model J Link |



Make changing links fast and easy with these **LINKAGE PLIERS** from **Brooks**. No more scrunching fingers and busting knuckles trying to release cable pressure on scissor brackets. Simply place the specially curved steel jaws in the bracket holes and squeeze for fast, effortless link replacement.

| P/N | DESCRIPTION |
|-------|-----------------------------|
| TL915 | Linkage Pliers, Locking |
| TL910 | Linkage Pliers, Non-Locking |



PHL Links™ McCabe® RESETTABLE LINKS are UL 33 listed permanent replacements for fusible links with both thermal and electrical actuation. **McCabe Links** are resettable and reusable (after testing), making them environmentally friendly and cost effective. Load range 1–25 lb.

| P/N | DESCRIPTION |
|------------|--|
| G16524PHL | McCabe 165°F Thermal Electric Link, 24 VDC Link w/ 55 W Electric Heater |
| G21224PHL | McCabe 212°F, 24 VDC/2.3 A Link w/ 55 W Electric Heater |
| G212120PHL | McCabe 212°F, 120 VAC/0.46 A Link w/ 55 W Electric Heater |
| GUB165PHL* | McCabe 165°F Reusable Link w/ Grommet Universal Link Base |

*WHILE QUANTITIES LAST!



SR ELECTRO THERMAL LINK (ETL) is a UL listed, dual responsive fusible link and release device designed to improve life safety and minimize property damage. It combines a fusible link response to heat with the means to electrically release by application of a 0.2 ampere minimum current. Load range 2–40 lb.

| P/N | DESCRIPTION |
|---------|--------------------------------------|
| G165ETL | ETL 165° Fusible Link/Release Device |



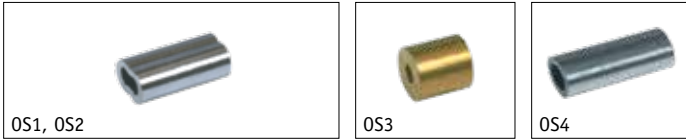


500C16

CABLE, CRIMPS, AND S-HOOKS

FireTech™ aircraft-type 7 x 7 **STAINLESS STEEL CABLE** is for automatic suppression systems.

| P/N | DESCRIPTION |
|---------|--------------------------------------|
| 1000C16 | 1/16" x 1000', Stainless Steel Cable |
| 500C16 | 1/16" x 500', Stainless Steel Cable |
| 250C16 | 1/16" x 250', Stainless Steel Cable |
| 50C16 | 1/16" x 50', Stainless Steel Cable |
| 250C64 | 3/64" x 250', Stainless Steel Cable |



OS1, OS2

OS3

OS4

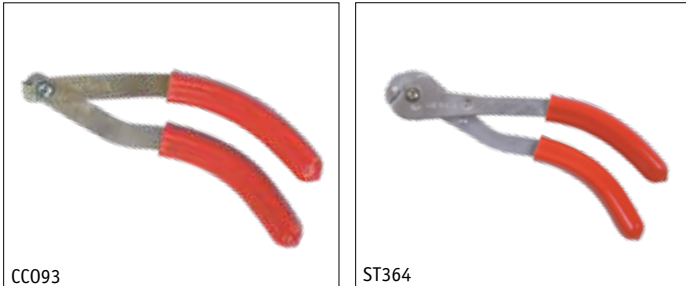
CRIMPS and **S-HOOKS** are for automatic suppression systems.

| P/N | DESCRIPTION |
|-----|---|
| OS1 | 3/64" Oval Zinc-Plated Copper Crimps, Pkg/100 |
| OS2 | 1/16" Oval Zinc-Plated Copper Crimps, Pkg/100 |
| OS3 | 1/16" Copper Stop Crimps, Pkg/100 |
| OS4 | 1/16" Kidde-Style Plated Copper Crimps, Pkg/100 |
| BHN | Brass Hex Nut |
| SHK | 1" S-Hooks, Pkg/100 |



BHN

SHK



CC093

ST364

These **CABLE CUTTERS** leave clean square cuts on stainless steel cable, while their cadmium-plated, heat-treated alloy construction ensures maximum rust prevention and durability. Made of aircraft-quality alloy steel, these **CRIMPING TOOLS** feature thick, comfortable vinyl handles for all-day use. See page 357 for **OS4** crimping tool (p/n **KR253538**).

NOTE: Do not use on S-Hooks or Links!

| P/N | DESCRIPTION |
|-------|-------------------------------------|
| CC093 | 6" Cable Cutters |
| ST116 | 8" Crimping Tool For OS2 and OS3 |
| ST364 | 8" Crimping Tool For OS1 |



1210

1220

2105

EMT CONDUIT FITTINGS

| P/N | DESCRIPTION |
|------|--|
| 1210 | 1/2" EMT Set Screw Connectors, Pkg/50 |
| 1220 | 1/2" EMT Set Screw Couplings, Pkg/50 |
| 2105 | 1/2" EMT Compression Connectors, Pkg/50 |
| 2205 | 1/2" EMT Compression Couplings, Pkg/50 |
| 1505 | 1/2" EMT & 3/8" Pipe Single Hole Straps, Pkg/100 |
| 7800 | Standoff Clamps w/ Bolts, Pkg/100 For 1/2" EMT, 1/2", & 3/8" Pipe |



2205

1505

7800

STEEL EMT CONDUIT FITTINGS

| P/N | DESCRIPTION |
|------|---|
| 6515 | 1/2" Steel Compression Connector |
| 2232 | 1/2" Steel EMT Fitting For Hood Seals/Link Brackets (Will Screw into QSA2) |



6515

2232

This **10" FUSIBLE LINK BRACKET** is UL classified for use in **Pyro-Chem®** systems, per NFPA 17 and 17A.

| P/N | DESCRIPTION |
|------|------------------|
| LBK1 | 10" Link Bracket |

Offering better air flow around fusible links, this **10" HIGH STAND OFF FUSIBLE LINK BRACKET** is UL classified for use in **Pyro-Chem®** systems, per NFPA 17 and 17A. (It matches up to a **CP5** when coming through the top of a hood with a **GSA12**.)

| P/N | DESCRIPTION |
|------|---------------------------------|
| LBK3 | 10" High Stand Off Link Bracket |

This **8" FUSIBLE LINK BRACKET** is UL classified for use in **Kidde** systems, per NFPA 17 and 17A.

| P/N | DESCRIPTION |
|------|-----------------|
| LBK2 | 8" Link Bracket |

STAND OFF BRACKETS feature zinc-plated 16 ga steel construction, making pipe installations neat and rigid (pipes will not move). Conduit brackets line up to link bracket holes as indicated. Available in low and high-profile versions. Box/25.

| P/N | DESCRIPTION | A | B |
|-------|--|--------|--------|
| SBC05 | Stand Off Brackets For 1/2" Conduit (Compatible w/ Ansul, Amerex, Buckeye, Pyro-Chem, & LBK3) | 2 5/8" | 1 7/8" |
| SBC20 | Stand Off Brackets For 1/2" Conduit (Compatible w/ Range Guard & Kidde) | 3 1/4" | 2 1/2" |
| SBP10 | Stand Off Brackets, Low Profile For 3/8" Pipe | 2 1/4" | 1 1/2" |
| SBP38 | Stand Off Brackets, High Profile For 3/8" Pipe | 3 1/4" | 2 1/2" |
| SBP15 | Stand Off Brackets, Low Profile For 1/2" Pipe | 2 5/8" | 1 7/8" |
| SBP25 | Stand Off Brackets, High Profile For 1/2" Pipe | 3 1/4" | 2 1/2" |

A= OVERALL HEIGHT OF BRACKET
B= TO CENTER OF HOLE

Facilitating the attachment of an **Ansul®** or **Pyro-Chem®** large-threaded corner pulley to an **LBK3** fusible link bracket, this **LINK HOUSING ADAPTER KIT** reduces the larger threads of the corner pulley to fit the smaller-diameter link bracket hole. No conduit or conduit fittings are required either. Kit comes with one reducing adapter and one steel nut.

| P/N | DESCRIPTION |
|------|--------------------------|
| LHAK | Link Housing Adapter Kit |



Fits Where Sockets Won't!



TL1218



TL1228 IN USE

Jiffy Seal RATCHETING WRENCHES are ingenious tools that tighten/loosen hex nuts and bodies in ventilation hoods. Their unique design fits into tight spaces easily and works with any $\frac{3}{8}$ " drive flexible T-handle. Made of heat-treated steel with carbonitride/zinc plating, they automatically find the right slot angle and index to the next position when in use. **Wrenches** and **Driver** sold separately.

| P/N | DESCRIPTION |
|--------|--|
| TL388 | 1 $\frac{1}{2}$ " Ratcheting Wrench For $\frac{3}{8}$ " & $\frac{1}{2}$ " Penetration Seals w/ 1 $\frac{1}{8}$ " Hole |
| TL1218 | 1 $\frac{1}{4}$ " Ratcheting Wrench For $\frac{3}{8}$ " & $\frac{1}{2}$ " Penetration Seals w/ $\frac{7}{8}$ " Hole |
| TL1228 | $\frac{3}{8}$ " Drive Flexible T-Handle |



QSA2



QSA2 IN USE

"GREASE-TITE" ADAPTERS

Featuring chrome-plated steel construction, **Jiffy THREADED "GREASE-TITE" ADAPTERS** are UL listed and conform to NFPA 96 requirements.

| P/N | DESCRIPTION | H SIZE | P SIZE |
|-------|----------------------|-------------------|-----------------|
| QSA1 | Pipe Adapter | $\frac{7}{8}$ " | $\frac{3}{8}$ " |
| QSA38 | Pipe Adapter | 1 $\frac{1}{8}$ " | $\frac{3}{8}$ " |
| QSA2 | Pipe & Rigid Conduit | 1 $\frac{1}{8}$ " | $\frac{1}{2}$ " |
| QSA3 | Pipe Adapter | 1 $\frac{3}{8}$ " | $\frac{3}{4}$ " |
| QSA4 | Pipe Adapter | 1 $\frac{5}{8}$ " | 1" |
| QSA5 | Pipe Adapter | $\frac{7}{8}$ " | $\frac{1}{4}$ " |



QSA8



COMPRESSION "GREASE-TITE" ADAPTERS are UL listed and conform to NFPA 96 requirements and provide a grease-tight seal without welding.

| P/N | DESCRIPTION | H SIZE | P SIZE |
|-------|---------------------|-------------------|-----------------|
| QSA8 | Pipe Adapter | 1 $\frac{1}{8}$ " | $\frac{3}{8}$ " |
| QSA9 | EMT/Conduit Adapter | 1 $\frac{1}{8}$ " | $\frac{1}{2}$ " |
| QSA10 | Pipe Adapter | 1 $\frac{1}{8}$ " | $\frac{1}{2}$ " |
| QSA11 | Pipe Adapter | 1 $\frac{3}{8}$ " | $\frac{3}{4}$ " |



QP1



UL listed **Jiffy PATCH "GREASE-TITE" SEALS** cover unwanted holes without welding and conform to NFPA 96 requirements.

| P/N | DESCRIPTION | H SIZE |
|-----|-------------|-------------------------------------|
| QP1 | Patch Seal | 1 $\frac{1}{8}$ "-1 $\frac{1}{4}$ " |
| QP2 | Patch Seal | $\frac{7}{8}$ "-1" |
| QP3 | Patch Seal | 1 $\frac{5}{8}$ "-1 $\frac{3}{4}$ " |
| QP4 | Patch Seal | 1 $\frac{3}{8}$ "-1 $\frac{1}{2}$ " |

BLIND COMPRESSION "GREASE-TITE" ADAPTERS

are UL listed and conform to NFPA 96, 17, & 17A requirements. They can be installed without accessing the back of the hood to tighten their nuts. These are an excellent choice for tight hood installations with little access.

| P/N | DESCRIPTION | H SIZE |
|-------|-------------------------------|--------|
| QSA15 | Pipe Adapter, 1/4" Tube Size | 1 1/8" |
| QSA16 | EMT/Conduit Adapter, 1/2" EMT | 1 1/8" |
| QSA17 | Pipe Adapter, 3/8" Pipe Size | 1 1/8" |



Jiffy CORNER PULLEY "GREASE-TITE" ADAPTERS

screw directly onto corner pulleys, for a quick 90° turn, when coming through the top of a hood. UL listed.

| P/N | DESCRIPTION | H SIZE |
|-------|---|--------|
| QSA12 | Corner Pulley Adapter Fits CP5 Corner Pulley | 1 1/8" |
| QSA13 | Corner Pulley Adapter Fits Ansul, Pyro-Chem Corner Pulleys | 1 1/8" |



Quick Mount FASTENERS and INSTALLATION TOOLS

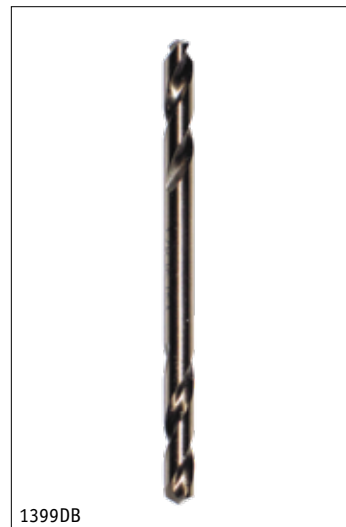
are for hood penetration. Per NFPA 96, any penetrations in the hood exterior are to be sealed with a listed device or by a liquid-tight, continuous external weld. The **QMT** (Quick Mount Fastener) is UL listed for mounting hardware in the hood or duct and meets code without welding. To install: drill hole with **QDRILL**, insert **QMT**, and clinch it with **QMT00LM**. **QMS** screws are ideal for mounting fusible link brackets, using the installed **QMT**.

| P/N | DESCRIPTION |
|---------|--|
| QMT | Quick Mount Fasteners, Pkg/10 |
| QMS | 1/4"-20 Screws, Pkg/100 For QMT |
| QMTA | Replacement Arbor For QMT00L |
| QMT00LM | Wrench-Type Installation Tool |
| QDRILL | Quick Mount Cobalt Drill Bit, Size "Q" |



Jiffy "GREASE-TITE" SEAL FASTENERS are UL listed and conform to NFPA 96 requirements. Designed for fastening items to hoods and plenums in a kitchen ventilation system, they combine thread-producing features with a high-temperature, thread-jamming coating. The friction from installing them activates the thread jammers, ensuring a grease-tight seal every time. They come with a **Double Ended 1/8" Pilot Drill Bit** (with a 135° split point design) for drilling through stainless steel. The **10 mm Magnetic Driver** is used with most drills to drive screws into 1/8" pilot holes.

| P/N | DESCRIPTION |
|--------|--|
| GTF1 | Grease-Tite Seal Fasteners, Pkg/24 |
| TL1395 | 10 mm Magnetic Power Driver For Grease-Tite Fasteners |
| 1399DB | Double Ended 1/8" Pilot Drill Bit |



Ansul® and Pyro-Chem® are registered marks of Tyco Fire Products LP.

In Use photos may show items not included or available separately.

Saves Time on Installations

Pre-cut lengths of $\frac{1}{2}$ " **GALVANIZED CONDUIT** to dramatically reduce system installation time.

| P/N | DESCRIPTION | PKG QTY |
|--------|--|---------|
| CN2 | 2" x $\frac{1}{2}$ " Galvanized Conduit | 25 |
| CN3 | 3" x $\frac{1}{2}$ " Galvanized Conduit | 25 |
| CN4 | 4" x $\frac{1}{2}$ " Galvanized Conduit | 25 |
| CN5 | 5" x $\frac{1}{2}$ " Galvanized Conduit | 25 |
| CN6 | 6" x $\frac{1}{2}$ " Galvanized Conduit | 25 |
| → CN7 | 7" x $\frac{1}{2}$ " Galvanized Conduit | 25 |
| CN8 | 8" x $\frac{1}{2}$ " Galvanized Conduit | 20 |
| → CN9 | 9" x $\frac{1}{2}$ " Galvanized Conduit | 25 |
| CN10 | 10" x $\frac{1}{2}$ " Galvanized Conduit | 20 |
| CN12 | 12" x $\frac{1}{2}$ " Galvanized Conduit | 20 |
| CN16 | 16" x $\frac{1}{2}$ " Galvanized Conduit | 10 |
| CN18 | 18" x $\frac{1}{2}$ " Galvanized Conduit | 10 |
| → CN24 | 24" x $\frac{1}{2}$ " Galvanized Conduit | 10 |
| → CN84 | 84" x $\frac{1}{2}$ " Galvanized Conduit | 10 |



GALVANIZED CONDUIT



CHROME SLEEVING

CHROME SLEEVING AND CONDUIT

High-luster **CHROME SLEEVING** is made of 22 ga steel (minimum). (**CS25** is the actual chrome conduit size, so there is no need for sleeving.)

| P/N | DESCRIPTION |
|-------|--|
| CS25 | 6' x $\frac{1}{2}$ " Chrome Conduit |
| CS38 | 6' Chrome Sleeving For $\frac{3}{8}$ " Pipe |
| CS50 | 6' Chrome Sleeving For $\frac{1}{2}$ " Pipe |
| CS75 | 6' Chrome Sleeving For $\frac{3}{4}$ " Pipe |
| CS100 | 6' Chrome Sleeving For 1" Pipe |

These heavy-duty **TUBING CUTTERS** come with hardened steel reamers and spare cutting wheels.

| P/N | DESCRIPTION |
|---------|---------------------------|
| ITC1000 | Tubing Cutter |
| 1000TC | Tubing Cutter (Domestic) |
| TCB | Tube Cutter Blades, Pkg/2 |



ITC1000



1000TC

NIPPLE TOTE

Strong yet lightweight, the **FireTech™ NIPPLE TOTE BOX** holds $\frac{3}{8}$ " and $\frac{1}{2}$ " nipples (close-6") and pre-cut galvanized conduit (2"-6"). Features a fold-away handle for easy storage. Made of 18 ga steel with a red enamel finish and 77 compartments. $10\frac{3}{8}$ "L x $6\frac{1}{2}$ "H x $7\frac{3}{8}$ "W. Red.

| P/N | DESCRIPTION |
|------|-----------------|
| PNT1 | Nipple Tote Box |



PNT1 In Use

PIPE AND PIPE NIPPLES

1/8" and **1/4"** **BLACK PIPE NIPPLES** are threaded on both ends.
Box/25.

| P/N | DESCRIPTION | PKG QTY |
|-------|----------------------------------|---------|
| N1800 | 1/8" Close Black Pipe Nipples | 25 |
| N2500 | 1/4" Close Black Pipe Nipples | 25 |
| N2515 | 1/4" x 1 1/2" Black Pipe Nipples | 25 |
| N2520 | 1/4" x 2" Black Pipe Nipples | 25 |
| N2525 | 1/4" x 2 1/2" Black Pipe Nipples | 25 |
| N2530 | 1/4" x 3" Black Pipe Nipples | 25 |
| N2540 | 1/4" x 4" Black Pipe Nipples | 25 |
| N2550 | 1/4" x 5" Black Pipe Nipples | 25 |
| N2560 | 1/4" x 6" Black Pipe Nipples | 25 |

3/8" **BLACK PIPE** and **NIPPLES** are threaded on both ends.
Box/25 (up to 12"); Box/10 (over 12").

| BLACK PIPE NIPPLES | | PKG QTY |
|--------------------|---------------|---------|
| P/N | DESCRIPTION | |
| N3800 | 3/8" Close | 25 |
| N3815 | 3/8" x 1 1/2" | 25 |
| N3820 | 3/8" x 2" | 25 |
| N3825 | 3/8" x 2 1/2" | 25 |
| N3830 | 3/8" x 3" | 25 |
| N3835 | 3/8" x 3 1/2" | 25 |
| N3840 | 3/8" x 4" | 25 |
| N3845 | 3/8" x 4 1/2" | 25 |
| N3850 | 3/8" x 5" | 25 |
| N3855 | 3/8" x 5 1/2" | 25 |
| N3860 | 3/8" x 6" | 25 |
| N3880 | 3/8" x 8" | 25 |
| N3810 | 3/8" x 10" | 25 |
| N3812 | 3/8" x 12" | 25 |

| BLACK PIPE | | PKG QTY |
|------------|-------------|---------|
| P/N | DESCRIPTION | |
| N3814 | 3/8" x 14" | 10 |
| N3816 | 3/8" x 16" | 10 |
| N3818 | 3/8" x 18" | 10 |
| N3824 | 3/8" x 24" | 10 |
| N38300 | 3/8" x 30" | 10 |
| N3836 | 3/8" x 36" | 10 |
| N3848 | 3/8" x 48" | 10 |

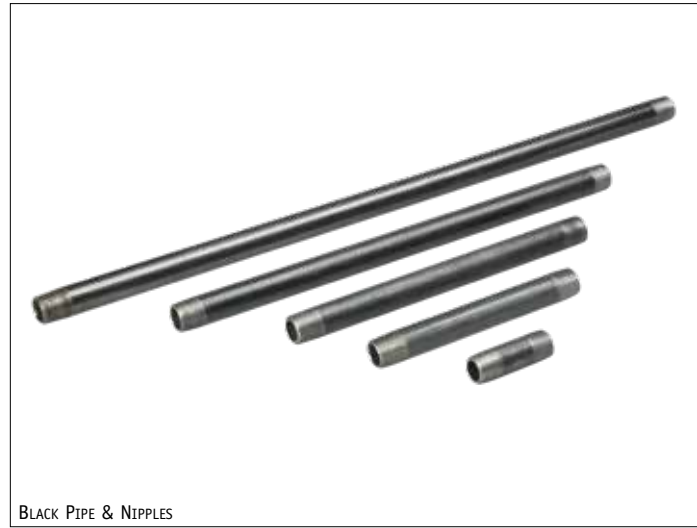
3/8" **BLACK PIPE** is threaded on both ends. Boxes of 10 ship **UPS**.

| P/N | DESCRIPTION |
|---------|--------------------|
| N3884 | 3/8" x 84" |
| N388410 | 3/8" x 84", Box/10 |

3/8" **CHROME PIPE** and **NIPPLES** are threaded on both ends.
Box/25 (up to 12"); Box/10 (over 12").

| CHROME PIPE NIPPLES | | PKG QTY |
|---------------------|---------------|---------|
| P/N | DESCRIPTION | |
| CRN3800 | 3/8" Close | 25 |
| CRN3815 | 3/8" x 1 1/2" | 25 |
| CRN3820 | 3/8" x 2" | 25 |
| CRN3825 | 3/8" x 2 1/2" | 25 |
| CRN3830 | 3/8" x 3" | 25 |
| CRN3835 | 3/8" x 3 1/2" | 25 |
| CRN3840 | 3/8" x 4" | 25 |
| CRN3845 | 3/8" x 4 1/2" | 25 |
| CRN3850 | 3/8" x 5" | 25 |
| CRN3855 | 3/8" x 5 1/2" | 25 |
| CRN3860 | 3/8" x 6" | 25 |
| CRN3880 | 3/8" x 8" | 25 |
| CRN3810 | 3/8" x 10" | 25 |
| CRN3812 | 3/8" x 12" | 25 |

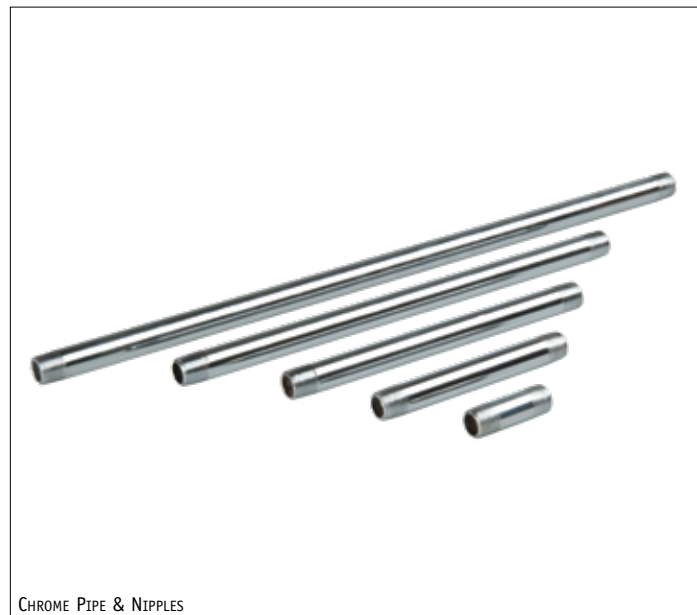
| CHROME PIPE | | PKG QTY |
|-------------|-------------|---------|
| P/N | DESCRIPTION | |
| CRN3816 | 3/8" x 16" | 10 |
| CRN3818 | 3/8" x 18" | 10 |
| CRN3824 | 3/8" x 24" | 10 |
| CRN38300 | 3/8" x 30" | 10 |
| CRN3836 | 3/8" x 36" | 10 |



BLACK PIPE & NIPPLES



N388410



CHROME PIPE & NIPPLES

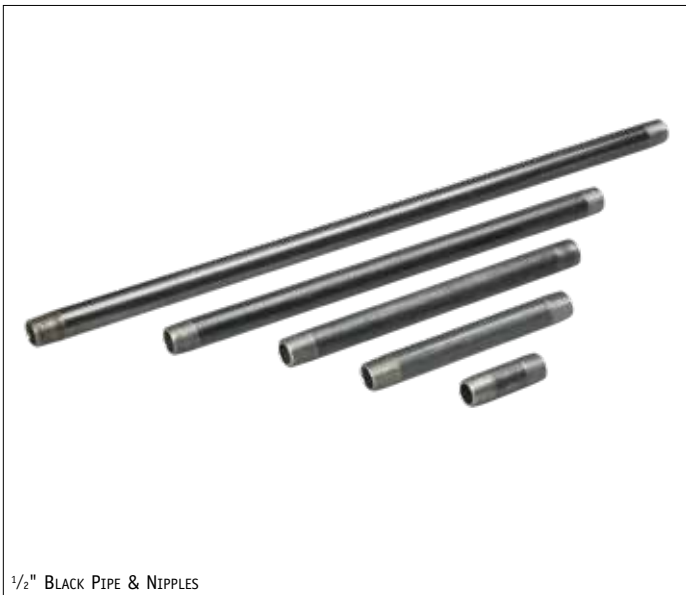


Stainless Steel Pipe & Nipples

3/8" STAINLESS STEEL PIPE and NIPPLES are threaded on both ends. Box/25 (up to 12"); Box/50 (16"-18"); Box/10 (over 18").

| P/N | DESCRIPTION | PKG QTY |
|---------|--|---------|
| SSN3800 | 3/8" Close Stainless Steel Pipe Nipples | 25 |
| SSN3815 | 3/8" x 1 1/2" Stainless Steel Pipe Nipples | 25 |
| SSN3820 | 3/8" x 2" Stainless Steel Pipe Nipples | 25 |
| SSN3825 | 3/8" x 2 1/2" Stainless Steel Pipe Nipples | 25 |
| SSN3830 | 3/8" x 3" Stainless Steel Pipe Nipples | 25 |
| SSN3835 | 3/8" x 3 1/2" Stainless Steel Pipe Nipples | 25 |
| SSN3840 | 3/8" x 4" Stainless Steel Pipe Nipples | 25 |
| SSN3845 | 3/8" x 4 1/2" Stainless Steel Pipe Nipples | 25 |
| SSN3850 | 3/8" x 5" Stainless Steel Pipe Nipples | 25 |
| SSN3855 | 3/8" x 5 1/2" Stainless Steel Pipe Nipples | 25 |
| SSN3860 | 3/8" x 6" Stainless Steel Pipe Nipples | 25 |
| SSN3880 | 3/8" x 8" Stainless Steel Pipe Nipples | 25 |
| SSN3810 | 3/8" x 10" Stainless Steel Pipe Nipples | 25 |
| SSN3812 | 3/8" x 12" Stainless Steel Pipe Nipples | 25 |

| P/N | DESCRIPTION | PKG QTY |
|----------|---------------------------------|---------|
| SSN3816 | 3/8" x 16" Stainless Steel Pipe | 50 |
| SSN3818 | 3/8" x 18" Stainless Steel Pipe | 50 |
| SSN3824 | 3/8" x 24" Stainless Steel Pipe | 10 |
| SSN38300 | 3/8" x 30" Stainless Steel Pipe | 10 |
| SSN3836 | 3/8" x 36" Stainless Steel Pipe | 10 |



1/2" BLACK PIPE & NIPPLES

1/2" BLACK PIPE and NIPPLES are threaded on both ends. Box/25 (up to 12"); Box/10 (over 12").

| P/N | DESCRIPTION | PKG QTY |
|-------|----------------------------------|---------|
| N5000 | 1/2" Close Black Pipe Nipples | 25 |
| N5015 | 1/2" x 1 1/2" Black Pipe Nipples | 25 |
| N5020 | 1/2" x 2" Black Pipe Nipples | 25 |
| N5025 | 1/2" x 2 1/2" Black Pipe Nipples | 25 |
| N5030 | 1/2" x 3" Black Pipe Nipples | 25 |
| N5035 | 1/2" x 3 1/2" Black Pipe Nipples | 25 |
| N5040 | 1/2" x 4" Black Pipe Nipples | 25 |
| N5045 | 1/2" x 4 1/2" Black Pipe Nipples | 25 |
| N5050 | 1/2" x 5" Black Pipe Nipples | 25 |
| N5055 | 1/2" x 5 1/2" Black Pipe Nipples | 25 |
| N5060 | 1/2" x 6" Black Pipe Nipples | 25 |
| N5012 | 1/2" x 12" Black Pipe Nipples | 25 |

| P/N | DESCRIPTION | PKG QTY |
|-------|-----------------------|---------|
| N5018 | 1/2" x 18" Black Pipe | 10 |
| N5024 | 1/2" x 24" Black Pipe | 10 |
| N5036 | 1/2" x 36" Black Pipe | 10 |



3/4" BLACK PIPE NIPPLES

1/8" BLACK PIPE is threaded on both ends. Boxes of 10 ship **UPS**.

| P/N | DESCRIPTION |
|---------|-------------------------------|
| N5084 | 1/2" x 84" Black Pipe |
| N508410 | 1/2" x 84" Black Pipe, Box/10 |

3/4" BLACK PIPE NIPPLES are threaded on both ends.

| P/N | DESCRIPTION | PKG QTY |
|-------|----------------------------------|---------|
| N7500 | 3/4" Close Black Pipe Nipples | 25 |
| N7515 | 3/4" x 1 1/2" Black Pipe Nipples | 25 |
| N7520 | 3/4" x 2" Black Pipe Nipples | 25 |
| N7525 | 3/4" x 2 1/2" Black Pipe Nipples | 25 |
| N7530 | 3/4" x 3" Black Pipe Nipples | 25 |
| N7535 | 3/4" x 3 1/2" Black Pipe Nipples | 25 |
| N7540 | 3/4" x 4" Black Pipe Nipples | 25 |
| N7545 | 3/4" x 4 1/2" Black Pipe Nipples | 25 |
| N7550 | 3/4" x 5" Black Pipe Nipples | 25 |
| N7555 | 3/4" x 5 1/2" Black Pipe Nipples | 25 |
| N7560 | 3/4" x 6" Black Pipe Nipples | 25 |

GALVANIZED PIPE AND FITTINGS

GALVANIZED PIPE and **PIPE NIPPLES** are threaded on both ends. Box/25 (up to 12"); Box/10 (over 12").

| P/N | DESCRIPTION | PKG QTY |
|---------|---------------------------------------|---------|
| GN5000 | 1/2" Close Galvanized Pipe Nipples | 25 |
| GN7500 | 3/4" Close Galvanized Pipe Nipples | 25 |
| GN7515 | 3/4" x 1 1/2" Galvanized Pipe Nipples | 25 |
| GN7520 | 3/4" x 2" Galvanized Pipe Nipples | 25 |
| GN7525 | 3/4" x 2 1/2" Galvanized Pipe Nipples | 25 |
| GN7530 | 3/4" x 3" Galvanized Pipe Nipples | 25 |
| GN7535 | 3/4" x 3 1/2" Galvanized Pipe Nipples | 25 |
| GN7540 | 3/4" x 4" Galvanized Pipe Nipples | 25 |
| GN7545 | 3/4" x 4 1/2" Galvanized Pipe Nipples | 25 |
| GN7550 | 3/4" x 5" Galvanized Pipe Nipples | 25 |
| GN7555 | 3/4" x 5 1/2" Galvanized Pipe Nipples | 25 |
| GN7560 | 3/4" x 6" Galvanized Pipe Nipples | 25 |
| GN10000 | 1" Close Galvanized Pipe Nipples | 25 |
| GN10015 | 1" x 1 1/2" Galvanized Pipe Nipples | 25 |
| GN10020 | 1" x 2" Galvanized Pipe Nipples | 25 |
| GN10025 | 1" x 2 1/2" Galvanized Pipe Nipples | 25 |
| GN10030 | 1" x 3" Galvanized Pipe Nipples | 25 |
| GN10035 | 1" x 3 1/2" Galvanized Pipe Nipples | 25 |
| GN10040 | 1" x 4" Galvanized Pipe Nipples | 25 |
| GN10045 | 1" x 4 1/2" Galvanized Pipe Nipples | 25 |
| GN10050 | 1" x 5" Galvanized Pipe Nipples | 25 |
| GN10055 | 1" x 5 1/2" Galvanized Pipe Nipples | 25 |
| GN10060 | 1" x 6" Galvanized Pipe Nipples | 25 |

| P/N | DESCRIPTION | PKG QTY |
|---------|----------------------------|---------|
| GN7516 | 3/4" x 16" Galvanized Pipe | 10 |
| GN7522 | 3/4" x 22" Galvanized Pipe | 10 |
| GN75350 | 3/4" x 35" Galvanized Pipe | 10 |
| GN7547 | 3/4" x 47" Galvanized Pipe | 10 |

90° GALVANIZED ELBOWS

| P/N | DESCRIPTION | PKG QTY |
|-----|----------------------------|---------|
| GF4 | 3/4" 90° Galvanized Elbows | 35 |
| GF5 | 1" 90° Galvanized Elbows | 50 |

45° GALVANIZED ELBOWS

| P/N | DESCRIPTION | PKG QTY |
|------|----------------------------|---------|
| GF8 | 1/2" 45° Galvanized Elbows | 40 |
| GF9 | 3/4" 45° Galvanized Elbows | 40 |
| GF10 | 1" 45° Galvanized Elbows | 50 |

90° GALVANIZED REDUCING ELBOWS

| P/N | DESCRIPTION | PKG QTY |
|------|---|---------|
| GF37 | 3/4" x 1/2" 90° Galvanized Reducing Elbow | 40 |
| GF38 | 1" x 3/4" 90° Galvanized Reducing Elbow | 40 |

GALVANIZED TEES

| P/N | DESCRIPTION | PKG QTY |
|------|---------------------------------------|---------|
| GF14 | 3/4" Galvanized Tees | 20 |
| GF15 | 1" Galvanized Tees | 30 |
| GF53 | 3/4" x 3/4" x 1" Galvanized Bull Tees | 30 |

GALVANIZED COUPLINGS and BUSHINGS.

| P/N | DESCRIPTION | PKG QTY |
|------|---|---------|
| GF19 | 3/4" Galvanized Couplings | 50 |
| GF20 | 1" Galvanized Couplings | 40 |
| GF30 | 1" x 3/4" Galvanized Reducing Couplings | 40 |
| GF39 | 3/4" x 1/2" Galvanized Bushings | 40 |

GALVANIZED UNIONS

| P/N | DESCRIPTION | PKG QTY |
|------|------------------------|---------|
| GF24 | 3/4" Galvanized Unions | 20 |
| GF25 | 1" Galvanized Unions | 20 |



Galvanized PIPE NIPPLES



GF4



GF9



GF37



GF14



GF30



GF24



BP3



BP8



BP36



BP49



BP13



BP45



BP18



BP28



BP23



BP44



BP42



BP50

BLACK PIPE FITTINGS

90° ELBOWS

| P/N | DESCRIPTION | PKG QTY |
|-----|-----------------------|---------|
| BP1 | 1/4" 90° Black Elbows | 35 |
| BP2 | 3/8" 90° Black Elbows | 45 |
| BP3 | 1/2" 90° Black Elbows | 50 |
| BP4 | 3/4" 90° Black Elbows | 35 |

45° ELBOWS

| P/N | DESCRIPTION | PKG QTY |
|-----|-----------------------|---------|
| BP7 | 3/8" 45° Black Elbows | 50 |
| BP8 | 1/2" 45° Black Elbows | 50 |
| BP9 | 3/4" 45° Black Elbows | 40 |

90° REDUCING and STREET ELBOWS.

| P/N | DESCRIPTION | PKG QTY |
|--------|---------------------------------------|---------|
| BP36 | 1/2" x 3/8" 90° Black Reducing Elbows | 50 |
| BP37 | 1/2" x 3/4" 90° Black Reducing Elbows | 40 |
| BP49 | 3/8" 90° Black Street Elbows | 40 |
| → BP54 | 1/2" 90° Black Street Elbows | 60 |

TEES

| P/N | DESCRIPTION | PKG QTY |
|------|--------------------------------|---------|
| BP11 | 1/4" Black Tees | 45 |
| BP12 | 3/8" Black Tees | 25 |
| BP13 | 1/2" Black Tees | 35 |
| BP14 | 3/4" Black Tees | 20 |
| BP45 | 1/2" x 1/2" x 3/8" Black Bulls | 20 |
| BP52 | 1/2" x 1/2" x 3/4" Black Bulls | 30 |

COUPLINGS

| P/N | DESCRIPTION | PKG QTY |
|------|----------------------|---------|
| BP16 | 1/4" Black Couplings | 40 |
| BP17 | 3/8" Black Couplings | 50 |
| BP18 | 1/2" Black Couplings | 40 |
| BP19 | 3/4" Black Couplings | 50 |

REDUCING COUPLINGS

| P/N | DESCRIPTION | PKG QTY |
|--------|--------------------------------------|---------|
| BP26 | 3/8" x 1/4" Black Reducing Couplings | 30 |
| BP27 | 1/4" x 1/8" Black Reducing Couplings | 50 |
| BP28 | 1/2" x 3/8" Black Reducing Couplings | 40 |
| → BP30 | 3/4" x 3/8" Black Reducing Couplings | 30 |
| BP29 | 3/4" x 1/2" Black Reducing Couplings | 60 |

UNIONS

| P/N | DESCRIPTION | PKG QTY |
|------|-------------------|---------|
| BP21 | 1/4" Black Unions | 20 |
| BP22 | 3/8" Black Unions | 20 |
| BP23 | 1/2" Black Unions | 40 |
| BP24 | 3/4" Black Unions | 40 |

BUSHINGS

| P/N | DESCRIPTION | PKG QTY |
|------|----------------------------|---------|
| BP38 | 3/8" x 1/4" Black Bushings | 75 |
| BP39 | 3/4" x 1/2" Black Bushings | 40 |
| BP44 | 1/2" x 3/8" Black Bushings | 100 |
| BP46 | 3/4" x 3/8" Black Bushings | 40 |
| BP47 | 1/2" x 1/4" Black Bushings | 100 |

LOCKNUTS

| P/N | DESCRIPTION | PKG QTY |
|------|---------------------|---------|
| BP41 | 3/8" Black Locknuts | 125 |
| BP42 | 1/2" Black Locknuts | 125 |
| BP43 | 3/4" Black Locknuts | 60 |

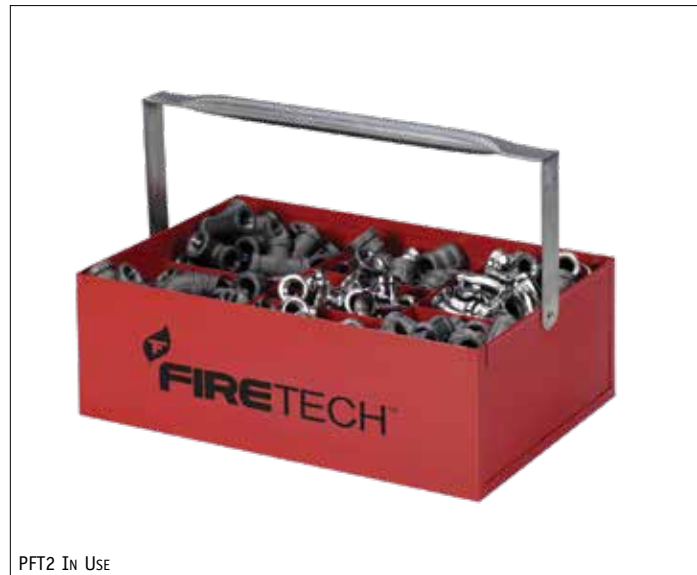
PLUG

| P/N | DESCRIPTION | PKG QTY |
|--------|------------------|---------|
| BP48 | 1/4" Black Plugs | 100 |
| BP50 | 3/8" Black Plugs | 100 |
| BP51 | 1/2" Black Plugs | 50 |
| → BP53 | 3/4" Black Plugs | 25 |

FITTINGS TOTE TRAY

The **FireTech™ FITTINGS TOTE TRAY** is ideal for organizing and carrying a wide variety of fittings. Manufactured from 18 ga epoxy-coated steel for superior durability and strength, it comes with seven compartments and features a fold-away handle for easy storage. 15"L x 5"H x 10"W. Red.

| P/N | DESCRIPTION |
|------|--------------------|
| PFT2 | Fittings Tote Tray |



PFT2 In Use

CHROME PIPE FITTINGS

90° CHROME ELBOWS

| P/N | DESCRIPTION | PKG QTY |
|-----|------------------------|---------|
| CR1 | 1/4" 90° Chrome Elbows | 35 |
| CR2 | 3/8" 90° Chrome Elbows | 45 |
| CR3 | 1/2" 90° Chrome Elbows | 50 |
| CR4 | 3/4" 90° Chrome Elbows | 35 |

45° CHROME ELBOWS

| P/N | DESCRIPTION | PKG QTY |
|-----|------------------------|---------|
| CR7 | 3/8" 45° Chrome Elbows | 50 |
| CR8 | 1/2" 45° Chrome Elbows | 50 |

90° CHROME REDUCING and STREET ELBOWS.

| P/N | DESCRIPTION | PKG QTY |
|------|--|---------|
| CR36 | 1/2" x 3/8" 90° Chrome Reducing Elbows | 50 |
| CR49 | 3/8" 90° Chrome Street Elbows | 40 |

CHROME TEES

| P/N | DESCRIPTION | PKG QTY |
|------|---------------------------------|---------|
| CR12 | 3/8" Chrome Tees | 25 |
| CR13 | 1/2" Chrome Tees | 35 |
| CR45 | 1/2" x 1/2" x 3/8" Chrome Bulls | 20 |

CHROME COUPLINGS and BUSHINGS.

| P/N | DESCRIPTION | PKG QTY |
|------|---------------------------------------|---------|
| CR17 | 3/8" Chrome Couplings | 50 |
| CR18 | 1/2" Chrome Couplings | 40 |
| CR28 | 1/2" x 3/8" Chrome Reducing Couplings | 40 |
| CR44 | 1/2" x 3/8" Chrome Bushings | 100 |

CHROME UNIONS

| P/N | DESCRIPTION | PKG QTY |
|------|--------------------|---------|
| CR22 | 3/8" Chrome Unions | 20 |
| CR23 | 1/2" Chrome Unions | 40 |
| CR24 | 3/4" Chrome Unions | 40 |

CHROME PLUGS

| P/N | DESCRIPTION | PKG QTY |
|------|-------------------|---------|
| CR50 | 3/8" Chrome Plugs | 100 |



In Use photos may show items not included or available separately.



SS2



SS7



SS49



SS12



SS17



SS28



SS44



SS22

STAINLESS STEEL PIPE FITTINGS

90° STAINLESS STEEL ELBOWS

| P/N | DESCRIPTION | PKG QTY |
|-----|--|---------|
| SS2 | $\frac{3}{8}$ " 90° Stainless Steel Elbows | 25 |
| SS3 | $\frac{1}{2}$ " 90° Stainless Steel Elbows | 25 |

45° STAINLESS STEEL ELBOWS

| P/N | DESCRIPTION | PKG QTY |
|-----|--|---------|
| SS7 | $\frac{3}{8}$ " 45° Stainless Steel Elbows | 25 |
| SS8 | $\frac{1}{2}$ " 45° Stainless Steel Elbows | 25 |

90° STAINLESS STEEL REDUCING and STREET ELBOWS.

| P/N | DESCRIPTION | PKG QTY |
|------|---|---------|
| SS36 | $\frac{1}{2}$ " x $\frac{3}{8}$ " 90° Stainless Steel Reducing Elbows | 50 |
| SS49 | $\frac{3}{8}$ " 90° Stainless Steel Street Elbow | 25 |

STAINLESS STEEL TEES

| P/N | DESCRIPTION | PKG QTY |
|------|---|---------|
| SS12 | $\frac{3}{8}$ " Stainless Steel Tees | 25 |
| SS13 | $\frac{1}{2}$ " Stainless Steel Tees | 25 |
| SS45 | $\frac{1}{2}$ " x $\frac{1}{2}$ " x $\frac{3}{8}$ " Stainless Steel Bulls | 20 |

STAINLESS STEEL COUPLINGS and BUSHINGS.

| P/N | DESCRIPTION | PKG QTY |
|------|--|---------|
| SS17 | $\frac{3}{8}$ " Stainless Steel Couplings | 25 |
| SS18 | $\frac{1}{2}$ " Stainless Steel Couplings | 25 |
| SS28 | $\frac{1}{2}$ " x $\frac{3}{8}$ " Stainless Steel Reducing Couplings | 25 |
| SS44 | $\frac{1}{2}$ " x $\frac{3}{8}$ " Stainless Steel Bushings | 25 |

STAINLESS STEEL UNIONS

| P/N | DESCRIPTION | PKG QTY |
|------|--|---------|
| SS22 | $\frac{3}{8}$ " Stainless Steel Unions | 25 |
| SS23 | $\frac{1}{2}$ " Stainless Steel Unions | 25 |

STAINLESS STEEL PLUG

| P/N | DESCRIPTION | PKG QTY |
|------|---------------------------------------|---------|
| SS50 | $\frac{3}{8}$ " Stainless Steel Plugs | 25 |

IDENTIFICATION SIGNS AND INSPECTION AND INSTALLATION FORMS

SPECIAL USE SIGNS. Per NFPA, a placard identifying the use of the extinguisher as a secondary back-up means to the automatic fire suppression system shall be conspicuously placed near each portable fire extinguisher in the cooking area.

| P/N | DESCRIPTION |
|-------|--|
| BL189 | Self-Adhesive Vinyl K-Class "Fire Extinguisher" Arrow Sign, 8" x 12" |
| A273 | Aluminum "Fire System to be Activated..." Sign, 3" x 5" |



BL189

These adhesive-backed aluminum **HOOD IDENTIFICATION SIGNS** come with red lettering and borders for added visibility.

| P/N | DESCRIPTION |
|------|--|
| A272 | "Remote Pull Station..." Sign, 3" x 5" |
| A276 | "Fryer" Sign, 2" x 4" |
| A277 | "Griddle" Sign, 2" x 4" |
| A278 | "Broiler" Sign, 2" x 4" |
| A281 | "Hood #1" Sign, 2" x 4" |
| A282 | "Hood #2" Sign, 2" x 4" |
| A283 | "Hood #3" Sign, 2" x 4" |
| A284 | "Hood #4" Sign, 2" x 4" |



A273

Self-adhesive aluminum **HOOD "CAUTION" SIGNS** are designed for suppression system hood use. Red.

| P/N | DESCRIPTION |
|-------|------------------------------------|
| A106 | "Caution..." Sign, 2" x 5" |
| A106S | Spanish "Caution..." Sign, 2" x 5" |



A272

A276

Three-part carbonless **PRE-ENGINEERED SYSTEMS INSPECTION FORMS** protect your company by providing a record of service performed. **FLA100** is approved and required by the State of Florida. Pkg/100.

| P/N | DESCRIPTION |
|--------|---|
| IF100 | Pre-Engineered Systems Inspection Forms |
| FLA100 | Florida Pre-Engineered Systems Inspection Forms |



A277

A278

ZIP-LOCK REPORT HOLDER attaches directly to equipment for easy access. Holds 8 1/2" x 11" forms.

| P/N | DESCRIPTION |
|------|-----------------|
| ZLRH | Zip-Lock Holder |



A283

A106

CERTIFICATES OF INSPECTION. Measures 8 1/2" x 11". Pkg/100.

| P/N | DESCRIPTION |
|-------|----------------------------|
| CI100 | Certificates of Inspection |



IF100

ZLRH In Use

CI100

Custom Signs also Available, See Page 185



CP5



BROOKS CORNER PULLEYS

Brooks' high-temperature ball bearing **COMPRESSION CORNER PULLEY** is UL listed with the **Amerex®** system and UL classified for **Ansul®, Kidde, Pyro-Chem®, and Range Guard®** systems, per NFPA 17 and 17A. Its steel compression nuts eliminate thread stripping, and it has more threads than most for a stronger, easier-to-install corner pulley. Its ball bearing roller is pressed into place and stays when you remove the cover.

| P/N | DESCRIPTION |
|-----|---------------------------|
| CP5 | Compression Corner Pulley |



CP8



Brooks' high-temperature **SET SCREW CORNER PULLEY** comes with a ball bearing roller.

| P/N | DESCRIPTION |
|-----|-------------------------|
| CP8 | Set Screw Corner Pulley |



CP2



Brooks' low-temperature **SWING COVER CORNER PULLEYS.**

| P/N | DESCRIPTION |
|-----|--|
| CP2 | Swing Cover Corner Pulley |
| CP6 | Swing Cover Conduit Corner Pulley |
| CP7 | Swing Cover 1/2" Threaded Corner Pulley, NPT |



CP6



CP7



Brooks' **3-WAY CORNER PULLEY** comes with dual rollers.

| P/N | DESCRIPTION |
|-----|---------------------|
| CP3 | 3-Way Corner Pulley |



CP3



OEM CORNER PULLEYS

Amerex® CORNER PULLEYS.

| P/N | DESCRIPTION |
|---------|----------------------|
| AX12309 | Amerex Corner Pulley |
| AX12506 | Amerex Tee Pulley |



AX12309



AX12506

Ansul® CORNER PULLEYS.

| P/N | DESCRIPTION |
|---------|-------------------------------|
| A423250 | Ansul Corner Pulley |
| A415670 | Ansul Set Screw Corner Pulley |
| A427929 | Ansul Tee Pulley |



A423250



A427929

Badger™ Range Guard® CORNER PULLEYS.

| P/N | DESCRIPTION |
|---------|----------------------|
| B844648 | Badger Corner Pulley |
| B843792 | Badger Tee Pulley |



B843792



B844648

Kidde CORNER PULLEYS.

| P/N | DESCRIPTION |
|---------|---------------------------------|
| K844648 | Kidde Compression Corner Pulley |
| K843792 | Kidde Tee Pulley |



PC423250



PC427929

Pyro-Chem® CORNER PULLEYS.

| P/N | DESCRIPTION |
|----------|-------------------------------------|
| PC423250 | Pyro-Chem Compression Corner Pulley |
| PC415670 | Pyro-Chem Set Screw Corner Pulley |
| PC427929 | Pyro-Chem Tee Pulley |



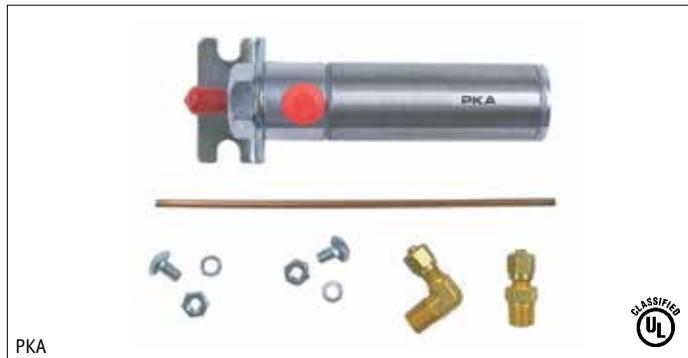
GVA75



GVB125



GVK



PKA



GVBOX

GVNUT



KCB

MECHANICAL GAS VALVES AND ACCESSORIES

Pull-Tite ASCO™ MECHANICAL GAS VALVES are UL classified for use in **Range Guard®**, **Pyro-Chem®**, and **Kidde** fire systems (Per NFPA 17 And 17A) and listed with the **Amerex®** system. **NOTE:** Valve disassembly voids the manufacturer warranty.

| P/N | DESCRIPTION |
|--------|-----------------------------|
| GVA75 | 3/4" Mechanical Gas Valve |
| GVA100 | 1" Mechanical Gas Valve |
| GVA125 | 1 1/4" Mechanical Gas Valve |
| GVA150 | 1 1/2" Mechanical Gas Valve |
| GVA200 | 2" Mechanical Gas Valve |
| GVA250 | 2 1/2" Mechanical Gas Valve |
| GVA300 | 3" Mechanical Gas Valve |

Trip-to-Close ASCO™ MECHANICAL GAS VALVES are UL classified for use in **Ansul®** systems as well as listed with the **Amerex®** system, per NFPA 17 and 17A.

NOTE: Valve disassembly voids the manufacturer's warranty.

| P/N | DESCRIPTION |
|--------|--|
| GVB75 | 3/4" Mechanical Gas Valve |
| GVB100 | 1" Mechanical Gas Valve |
| GVB125 | 1 1/4" Mechanical Gas Valve |
| GVB150 | 1 1/2" Mechanical Gas Valve |
| GVB200 | 2" Mechanical Gas Valve |
| GVB250 | 2 1/2" Mechanical Gas Valve |
| GVB300 | 3" Mechanical Gas Valve |
| GVBCP | Cover Plate For GVB-Style Gas Valve |

The **UNIVERSAL GAS VALVE KIT** fits all **GVA** gas valves and comes with the hardware to install the gas valve for release-to-close or trip-to-close operation. (Use **Channellock® Locknut Pliers** for quick and easy adjustments of **GVNUT**).

| P/N | DESCRIPTION |
|-----|-------------------------|
| GVK | Universal Gas Valve Kit |

For actuation of a mechanical gas valve (**GVB**), this **PNEUMATIC PISTON** is UL classified for use in **Ansul®** systems, per NFPA 17 and 17A and the manufacturer's installation instructions.

| P/N | DESCRIPTION |
|--------|--|
| PKA | Pneumatic Piston Kit Compare to Ansul |
| PKAKIT | Replacement Hardware (Only) |

This **GAS VALVE BOX** is for use with a **GVA** gas valve. (Use **Channellock® Locknut Pliers** for quick and easy adjustments of **GVNUT**). **CABLE BLOCK** is for use with a **GVA** valve on a **Kidde** system.

| P/N | DESCRIPTION |
|-------|---|
| GVBOX | Box & Cover For GVA Valve |
| GVNUT | Special Nut For Fastening GVBOX to GVA Valve |
| KCB | Cable Block |

ASCO™ ELECTRICAL GAS VALVES are for use in all systems and come normally closed without power.
NOTE: All valves must be mounted with the solenoid vertical and upright. Valve disassembly voids the manufacturer's warranty.

| P/N | DESCRIPTION |
|----------|------------------------------------|
| GVC75 | 3/4" Electric Gas Valve, 110 VAC |
| GVC100 | 1" Electric Gas Valve, 110 VAC |
| GVC125 | 1 1/4" Electric Gas Valve, 110 VAC |
| GVC150 | 1 1/2" Electric Gas Valve, 110 VAC |
| GVC200 | 2" Electric Gas Valve, 110 VAC |
| GVC250 | 2 1/2" Electric Gas Valve, 110 VAC |
| GVC300 | 3" Electric Gas Valve, 110 VAC |
| GVG24100 | 1" Electric Gas Valve, 24 VDC |
| GVG24125 | 1 1/4" Electric Gas Valve, 24 VDC |
| GVG24150 | 1 1/2" Electric Gas Valve, 24 VDC |
| GVG24200 | 2" Electric Gas Valve, 24 VDC |

REPLACEMENT COILS and CAP

| P/N | DESCRIPTION |
|--------|---|
| COIL7 | Replacement Coil For GVC75 Gas Valves |
| COIL8 | Replacement Coil For GVC100-200 Gas Valves |
| COIL11 | Replacement Coil For GVC250-300 Gas Valves |
| RCAP | Red Plastic Cap |

RESET RELAYS

Required when using electrical gas valves, these **RESET RELAYS** are UL listed and come complete with wiring and installation instructions. They have wiring diagrams attached to their inside covers and their contacts are rated at 10 A.
NOTE: Must be installed in accordance with system manufacturer's instructions (not included).

| P/N | DESCRIPTION |
|-------|--------------------------|
| SRR | Reset Relay, 110/120 VAC |
| SRR24 | Reset Relay, 24 VDC |

Channellock® LOCKNUT PLIERS are designed for quick, easy adjustment of electrical locknuts and **GVNUT**. Their thin profile is ideal for use in tight wire-confined electrical boxes. They have spring-loaded locking handles and fit 1/2", 3/4", 1", 1 1/4", and 1 1/2" locknuts.

| P/N | DESCRIPTION |
|--------|----------------|
| TL960* | Locknut Pliers |

*WHILE QUANTITIES LAST!

The **25" TELESCOPIC MATCH EXTENDER** is for those hard-to-reach pilot lights. It compresses to pen size and comes with a pocket clip.

| P/N | DESCRIPTION |
|------|----------------|
| ME25 | Match Extender |



WARNING: This product may contain a chemical known to the State of California to cause cancer and/or birth defects or other reproductive harm.

In Use photos may show items not included or available separately.



50A110

ELECTRICAL CONTACTORS

ELECTRICAL CONTACTORS are 3-pole-resistive, UL recognized components.

| P/N | DESCRIPTION |
|--------|-------------------------------------|
| 40A110 | Electrical Contactor, 40 A, 110 VAC |
| 40A220 | Electrical Contactor, 40 A, 220 VAC |
| 50A110 | Electrical Contactor, 50 A, 110 VAC |
| 50A220 | Electrical Contactor, 50 A, 220 VAC |
| 75A110 | Electrical Contactor, 75 A, 110 VAC |



4075CE

These **STEEL ENCLOSURES** (with baked-on finishes) are pre-drilled with mounting holes to fit our **Electrical Contactors**.

| P/N | DESCRIPTION |
|--------|---|
| 4075CE | Steel Enclosure For 40–75 A, 3-Pole Contactors |



P2RHK120



The **P2RHK120 HORN STROBE** is UL listed for outdoor use and can operate in extreme temperatures (-40°F to 151°F) and wet or dry conditions. Includes back box.

| P/N | DESCRIPTION |
|----------|-----------------------------|
| P2RHK120 | Horn Strobe w/ Box, 120 VAC |



AB6

These 6" **ALARM BELLS** are available in either 120 VAC or 24 VDC operation.

NOTE: NFPA requires an audible or visual indicator to show that the system has operated, that personnel response is needed, and that the system is in need of recharge.

| P/N | DESCRIPTION |
|-------|---|
| AB6 | Alarm Bell, 120 VAC |
| AB624 | Alarm Bell, 24 VDC |
| ABBB | Weatherproof Backbox For Alarm Bells |

MANUAL PULL STATION GUARDS

Compatible with **Ansul**® remotes or older **Kidde** remotes, this **SURFACE-MOUNT ROUND REMOTE PULL GUARD** reduces false discharges of fire systems from accidental snagging of manual remote pulls on clothing, food carts, etc. 2³/₄"D x 4⁵/₈" Dia.

| P/N | DESCRIPTION |
|-----|---------------------------------------|
| PG1 | Surface-Mount Round Remote Pull Guard |

Compatible with **Ansul**® remotes, this **RECESSED ROUND REMOTE PULL GUARD** reduces false discharges of fire systems from accidental snagging of manual remote pulls on clothing, food carts, etc. 1¹/₂"D x 4¹/₄" Dia.

| P/N | DESCRIPTION |
|-----|----------------------------------|
| PG2 | Recessed Round Remote Pull Guard |

This **SURFACE-MOUNT REMOTE PULL GUARD** works with **Pyro-Chem**®, **Range Guard**®, **Kidde**, **Amerex**®, or **Buckeye** remotes, reducing false discharges of fire systems from accidental snagging of manual remote pulls on clothing, food carts, etc. 5³/₁₆"H x 4⁷/₁₆"W x 3"D.

| P/N | DESCRIPTION |
|-----|---------------------------------|
| PG3 | Surface-Mount Remote Pull Guard |

This **SURFACE-MOUNT ROUND REMOTE PULL GUARD** is compatible with **Amerex**® or **Ansul**® remotes and reduces false discharges of fire systems from accidental snagging of manual remote pulls on clothing, food carts, etc. 2⁵/₈"D x 6" Dia.

| P/N | DESCRIPTION |
|-----|---------------------------------------|
| PG4 | Surface-Mount Round Remote Pull Guard |

CHROME and **NON-CHROME** back boxes for **Ansul**® remote pull stations feature rounded corners and knockouts for easy installation.

| P/N | DESCRIPTION |
|-------|----------------------------|
| ARBOX | Chrome Remote Pull Box |
| RPBOX | Non-Chrome Remote Pull Box |

Using a solid aluminum frame, this **LEVEL** features a powerful magnetic edge for hands-free use. Its durable acrylic vials read plumb, level, and 45°.

| P/N | DESCRIPTION |
|--------|-------------|
| TL9919 | 9" Level |



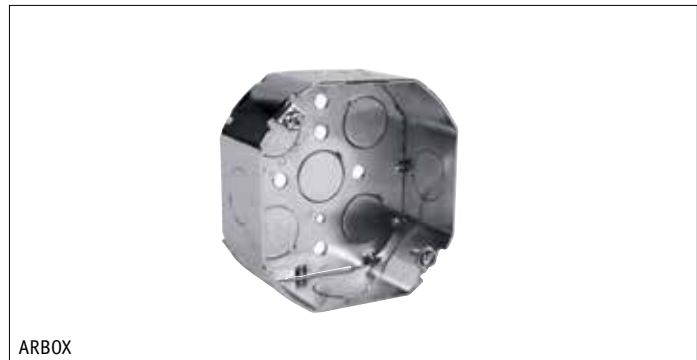
PG2 w/ ASRP In Use



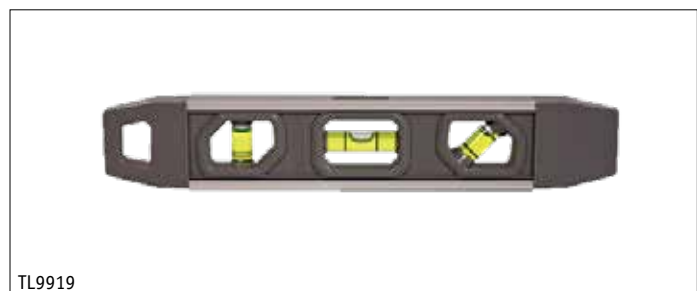
PG3 w/ B120110 In Use



PG4 w/ A434618 In Use



ARBOX



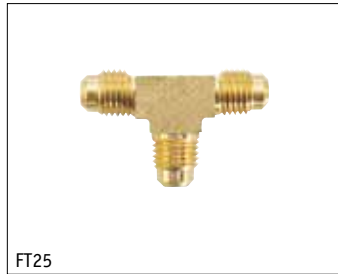
TL9919



FC25



FN25



FT25

BRASS FLARE FITTINGS are for system installations and meet SAE J513, as specified in the manufacturer's manual.

NOTE: Tees and connectors do not include flare nuts.

| P/N | DESCRIPTION |
|-------|---|
| △FC25 | 1/4", 45° Flare x 1/4" NPT Male Connector |
| △FN25 | 1/4", 45° Flare Nut |
| △FT25 | 1/4", 45° Flare Tee |
| △FC13 | 1/4", 45° Flare x 1/8" NPT Male Connector |



CT50



PCC

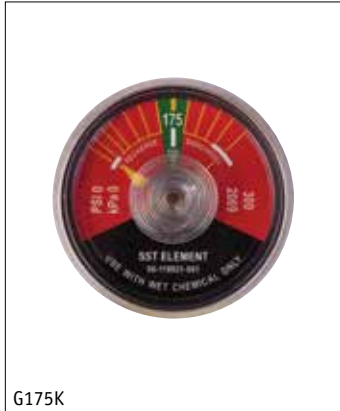
COPPER TUBING for system installations.

| P/N | DESCRIPTION |
|--------|--|
| CT50 | 1/4" x 50' Copper Tubing (1/32" Wall) |
| ACT049 | 1/4" x 50' Copper Tubing (0.049" Wall) |

CO₂ ACTUATOR CARTRIDGES are UL classified for **Pyro-Chem** and **Kidde/Range Guard** systems, along with O-rings, must be periodically replaced in accordance with the service manual. Refer to manual for replacement intervals and installation instructions.

NOTE: Make sure to check cartridge weight before installation.

| P/N | DESCRIPTION |
|-----|---|
| PCC | 16 g CO ₂ Actuator Cartridges, Pkg/3 |
| KRC | 12 g CO ₂ Actuator Cartridges, Pkg/3 |



G175K



G175K Side View

REPLACEMENT PRESSURE GAUGES for pre-engineered wet and dry chemical systems feature brass and stainless steel construction.

| P/N | DESCRIPTION |
|-------|----------------------------------|
| G175K | 175 lb Wet Chemical System Gauge |
| G225K | 225 lb Wet Chemical System Gauge |
| G240K | 240 lb Wet Chemical System Gauge |
| G350 | 350 lb Dry Chemical System Gauge |
| G360 | 360 lb Dry Chemical System Gauge |



EZFILL In Use



TL960

FireTech's EZ-FILL SIPHON is not only easy but fast—transferring up to 3.5 gal of liquid per minute. The 6' clear hose is durable, flexible, non-toxic, and has a copper nipple that is anti-static and anti-spark for safety. Use it to transfer liquids, including fuels, oils, water, paint, and more. To operate, make sure the liquid to be transferred is higher than the empty container. Submerge the **EZ-Fill Siphon** and shake it to start the transfer.

| P/N | DESCRIPTION |
|--------|----------------|
| EZFILL | EZ-Fill Siphon |



TL960 In Use

Channellock® LOCKNUT PLIERS are designed for quick, easy adjustment of electrical locknuts and **GVNUT**. Their thin profile is ideal for use in tight wire-confined electrical boxes. They have spring-loaded locking handles and fit 1/2", 3/4", 1", 1 1/4", and 1 1/2" locknuts.

| P/N | DESCRIPTION |
|---------|----------------|
| △TL960* | Locknut Pliers |

*WHILE QUANTITIES LAST!

The **Sidekick III** is a full-featured **PIPE THREADING MACHINE** with a manual opening die head for 1/4"-1" NPT dies. Its front and rear chucks are great features as are its safety auto shut-off, larger carriage, and unique single-blade reamer. The **Sidekick III** has a noise level of 88 dB, no-load RPM of 55, and a net weight of 63 lb. Three-year warranty (includes the electric motor and 1/2"-3/4" and 1" NPT dies). An optional threader stand is available separately.

| P/N | DESCRIPTION |
|----------|--|
| DDP8992 | Pipe Threading Machine |
| DDP841 | Folding Threader Stand Use w/ DDP8992 |
| DDP60210 | 1/4"-3/8" NPT Dies For DDP8992 |
| 60210 | 1/4"-3/8" NPT Dies For DDP8992 |
| 60211 | 1/2"-3/4" NPT Dies For DDP8992 |

For optimal cutting performance, keep your pipe threaders filled with premium **THREAD-CUTTING OIL** from **Circle Cut**.

| P/N | DESCRIPTION |
|-------|---------------------------|
| TCOG | Thread Cutting Oil, 1 gal |
| TCOG5 | Thread Cutting Oil, 5 gal |

These heavy-duty **TUBING CUTTERS** come with hardened steel reamers and spare cutting wheels.

| P/N | DESCRIPTION |
|---------|-----------------------------|
| ITC1000 | Tubing Cutter |
| 1000TC | Tubing Cutter (Domestic) |
| TCB | Tubing Cutter Blades, Pkg/2 |

Easy-to-use, this **FLARING TOOL** efficiently flares tubing ends of seven common sizes (3/16"-5/8").

| P/N | DESCRIPTION |
|--------|--------------|
| TL2880 | Flaring Tool |

The **NITROGEN DRY AIR TEST KIT** connects to system piping for discharge tests, according to NFPA 17 and NFPA 17A. It can also be used to clear obstructions in the piping network. The kit includes a cylinder (uncharged), regulator, hose with quick disconnect, adapters with disconnect plugs, and a UN 1066 label to be applied, if needed. It also comes with 3/8" NPT, 1/2" NPT, and 3/4" NPT adapters as well as an **Ansul®** system adapter.

| P/N | DESCRIPTION |
|-------|---------------------------|
| NDATK | Nitrogen Dry Air Test Kit |



DDP8992



ITC1000



1000TC



TL2880



→ **NEW**

NDATK

WARNING: This product may contain a chemical known to the State of California to cause cancer and/or birth defects or other reproductive harm.



HCSM



HCSD



HC614



HC600



HC437



HC490



HC455



HC705



E0102338

TOOLS

Offered with either a $\frac{1}{2}$ " **Milwaukee® Holeshooter** variable speed corded drill or a $\frac{1}{2}$ " **DeWalt®** 3-speed 18V cordless drill (with two batteries and a charger), these **HOLECUTTING SYSTEM II KITS** are designed to simplify and expedite the job of drilling holes in stainless steel, carbon steel, and other hardened metals. Their patented cutter design and coaxial speed reducer offer a 4:1 gear reduction (for the cutter) without reducing the pilot drill speed, making them ideal for cutting holes in stainless steel. Their pilot drills feature a 135° split-point design to ease starting and centering holes. (An existing hole can be enlarged by simply nesting the current hole size cutter inside the new size cutter.)

SYSTEMS INCLUDES:

(1) Arbor, (1) 4" Arbor Extension, (1) $\frac{1}{2}$ " Stem Adapter, (1) Cutting Lubricant Stick, (1) Speed Reducer, (2) Pilot Drills, Loosening Washers, (1) Hex-Key Wrench, (2) Open-End Wrenches, (1) Clamp & Handle, (1) Original Drill Motor Chuck, Cases, (5) Cutters— $\frac{3}{4}$ ", $\frac{7}{8}$ ", $1\frac{1}{8}$ ", $1\frac{3}{8}$ ", & $1\frac{5}{8}$ ".

| P/N | DESCRIPTION |
|------|---|
| HCSM | Hole Cutting System II w/ Milwaukee Drill, Corded |
| HCSD | Hole Cutting System II w/ Dewalt Drill, Cordless |

These patented **HOLE CUTTERS** were designed to withstand the hardness of stainless steel, making hole drilling easier than using a standard hole saw. Their triple-tooth design increases cutting pressure for quicker cut holes and increased cutter life. The **ARBOR** is used when placing the cutters into an ordinary drill chuck (without a speed reducer).

| P/N | DESCRIPTION |
|-------|------------------------------|
| HC614 | $\frac{7}{8}$ " Hole Cutter |
| HC618 | $1\frac{1}{8}$ " Hole Cutter |
| HC622 | $1\frac{3}{8}$ " Hole Cutter |
| HC626 | $1\frac{5}{8}$ " Hole Cutter |
| HC600 | Arbor |
| HC437 | Arbor Extension |
| HC490 | Replacement Collar |
| HC455 | Replacement Set Screw |
| HC705 | Cutting Lubricant Stick |

Blu-Mol® Xtreme HOLE CUTTERS feature **Tri-Cut Tungsten Carbide Tips** with three distinct cutting edges that balance their cutting performance for longer blade life and better heat resistance. They come with safety collar stops to prevent over cutting and side holes that remove chips for increased operating speed. They offer 1" depth of cut with self-ejecting plug removal and cut steel, aluminum, and iron. $\frac{3}{8}$ " (10 mm) chuck shanks are standard.

| P/N | DESCRIPTION |
|----------|-------------------------------------|
| E0102338 | $\frac{3}{4}$ " Xtreme Hole Cutter |
| E0102340 | $\frac{7}{8}$ " Xtreme Hole Cutter |
| E0102342 | 1" Xtreme Hole Cutter |
| E0102350 | $1\frac{1}{2}$ " Xtreme Hole Cutter |

For Additional Tools, See Section 10.

CARBIDE TIPPED HOLE SAWS feature heat-resistant teeth for maximum performance and service life. They are excellent at cutting stainless steel when using a lubricant at slow speeds.

| P/N | DESCRIPTION |
|--------|-------------------------------------|
| HS214 | 7/8" Carbide Tipped Hole Saw |
| HS218 | 1 1/8" Carbide Tipped Hole Saw |
| HS222 | 1 3/8" Carbide Tipped Hole Saw |
| HSA5 | Arbor For 7/8", 1 1/8" Saw |
| HSA6 | Arbor For 1 3/8" Saw |
| HSD297 | 1/4" Carbide Tipped Pilot Drill Bit |
| HSD851 | 1/4" Pilot Drill Bit |



The **Vari-Bit® STEP DRILL BIT** cuts faster and lasts longer than hole saws. It needs no pilot holes and cuts up to a 1 3/8" Dia hole. **NOTE:** Use lubricant and slow speeds to maximize life of cutting edges.

| P/N | DESCRIPTION |
|------|----------------|
| VB12 | Step Drill Bit |



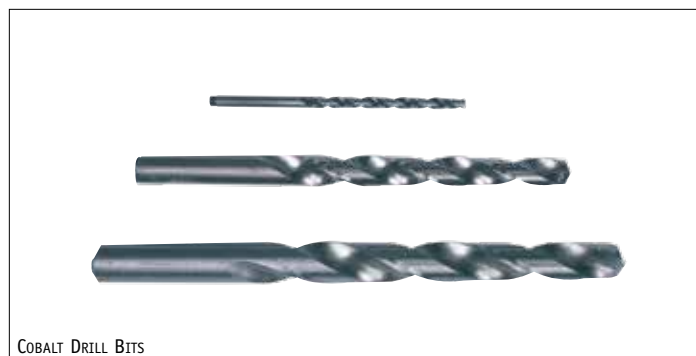
These **PILOT DRILL BITS** are optimized for cutting stainless steel. Their 135° split-point design improves the ease of starting the hole and finish drilling. You get "two bits in one", just turn them around and their other end is a brand new bit.

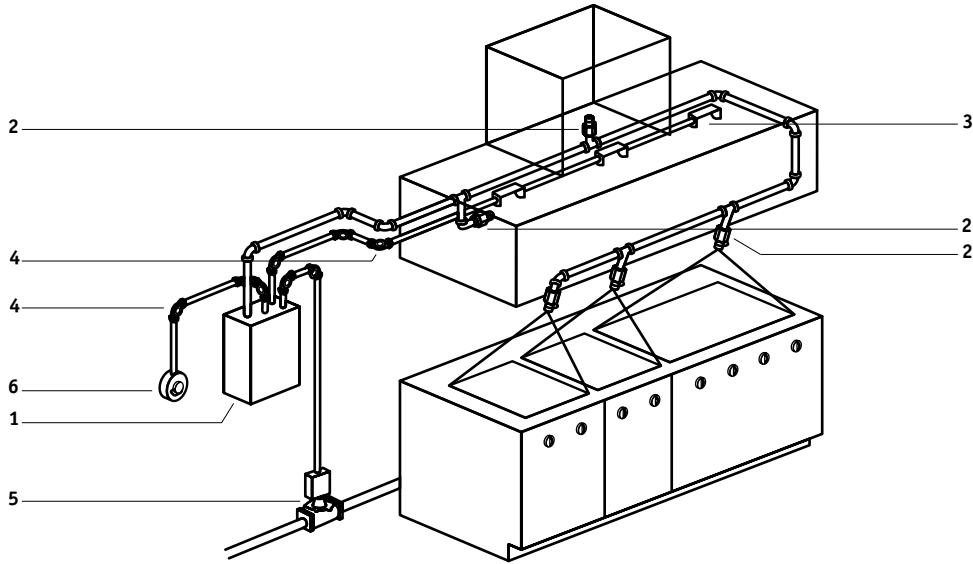
| P/N | DESCRIPTION |
|--------|-----------------------|
| 1399DB | 1/8" Pilot Drill Bit |
| HC435 | 3/16" Pilot Drill Bit |



COBALT DRILL BITS are made of 8% cobalt HSS and designed for heavy-duty drilling through stainless steel.

| P/N | DESCRIPTION |
|---------|---|
| 40324DB | 3/8" Cobalt Drill Bit |
| 41327DB | #27 Cobalt Drill Bit For #10 Sheet Metal Screw |
| QDRILL | Quick Mount Cobalt Drill Bit, Size "Q" |





AMEREX® KITCHEN SYSTEM PARTS

ENCLOSURES, TANKS, and BRACKETS (FIG 1).

| P/N | DESCRIPTION |
|-----------|--|
| AX16921 | Model 2.75 Agent Cylinder (Filled & Charged) |
| AX13334 | Model 3.75 Agent Cylinder (Filled & Charged) |
| AX17379 | Model 4.75 Agent Cylinder (Filled & Charged) |
| AX15196 | Model 6.14 Agent Cylinder (Filled & Charged) |
| AX16920 | Bracket w/ Swivel Adapter For 2.75, 3.75, & 4.75 gal Cylinder |
| AX21583 | Bracket w/ Swivel Adapter For 6.14 gal Cylinder |
| ✓ AX18001 | MRM II w/ SS Enclosure |
| ✓ AX10147 | Pneumatic Actuator, 6.14 gal Cylinder |
| AX10199 | Discharge Adapter Kit, 6.14 gal Cylinder |
| AX10173 | Vent Check |
| AX17484 | Low-Pressure Module |
| AX12854 | 16" Actuation Hose |
| AX16448 | 24" Actuation Hose |

✓ **Authorized Distributors Only**

WET CHEMICAL (FIG 1)

| P/N | DESCRIPTION |
|---------|-------------------------------|
| AX16924 | Amerex Wet Chemical, 2.75 gal |
| AX12866 | Amerex Wet Chemical, 3.75 gal |
| AX17450 | Amerex Wet Chemical, 4.80 gal |
| AX15416 | Amerex Wet Chemical, 6.14 gal |

NOZZLES (FIG 2)

| P/N | DESCRIPTION |
|---------|------------------------|
| AX16440 | Nozzle Swivel Adapter |
| AX13729 | Fryer & Griddle |
| AX11982 | Appliance & Plenum |
| AX11983 | Solid Fuel Charbroiler |
| AX11984 | Upright Broiler |
| AX16416 | Duct |
| AX14178 | Range & Zone Defense |
| AX17461 | Back Shelf Nozzle |



AX13334



AX10147



AX10173



AX12866



AX16440



AX11982

NOZZLE CAPS (FIG 2)

| P/N | DESCRIPTION |
|---------|--------------------------------|
| AX12334 | Blow Off Cap, Standard |
| AX12504 | Blow Off Cap, High Temperature |



AX12334



AX12504

SERVICE TOOLS and REPAIR PARTS.

| P/N | DESCRIPTION |
|-----------|---|
| AX14899 | Misc Parts Kit |
| G240K | Wet Chemical Gauge, 240 psi |
| 5240A | Collar O-Ring KP/ZD (275, 375, & 475) |
| AX20659 | Tank Valve Rebuild Kit KP/ZD (275, 375, & 475) |
| 5239A | Collar O-Ring KP/ZD (600) |
| AX10097 | Spring For 6.14 gal Amerex Cylinder |
| AX10102* | Washer For 6.14 gal Amerex Cylinder |
| AX10732* | Screw For 6.14 gal Amerex Cylinder |
| AX15063 | Valve Stem For 6.14 gal Amerex Cylinder |
| AX10733** | Valve Stem O-Ring For 6.14 gal Amerex Cylinder |
| AD36 | Recharge Adapter |
| HTA10 | Hydrostat Adapter KP/ZD (275, 375, & 475) |
| HTA24 | Hydrostat Adapter KP/ZD (600) |
| AX13430 | Nitrogen Cylinder Recharge Adapter/ Bracket Kit |
| AX12855 | T-Handle Adapter KP/ZD (275, 375, & 475) |
| EZFILL | EZ-Fill Siphon |

* MUST BE PURCHASED IN QUANTITIES OF 12
 ** MUST BE PURCHASED IN QUANTITIES OF 24



AX14899

SERVICE MANUAL

| P/N | DESCRIPTION |
|---------|------------------------------|
| AX20150 | KP Wet System Service Manual |

AMEREX® INDUSTRIAL SYSTEM PARTS

CYLINDERS, ENCLOSURES, and BRACKETS (FIG 1).

| P/N | DESCRIPTION |
|-----------|---|
| AX16206 | Model IS18 Agent Cylinder, Filled & Charged |
| AX16208 | Model IS45 Agent Cylinder, Filled & Charged |
| AX14929 | Agent Cylinder Bracket - All Models |
| AX10180 | Heavy Duty Agent Cylinder Bracket Model IS18 |
| AX15765 | Mechanical Time Delay MRM |
| AX10173 | Vent Check |
| ✓ AX18001 | MRM - Mechanical Release Module |
| ✓ AX10147 | Pneumatic Actuator |

✓ **Authorized Distributors Only**



AX13430



AX12855



AX16206



AX16208



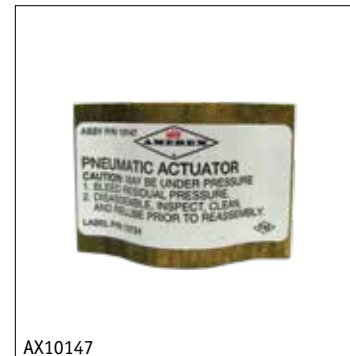
AX15765



AX20150



AX10173



AX10147



AX555



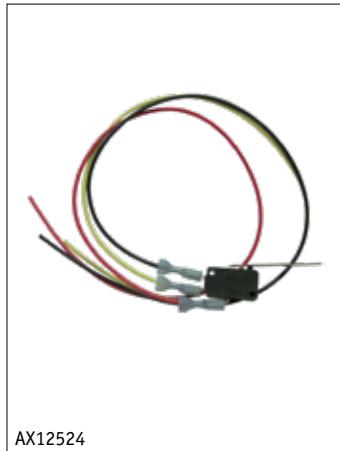
AX12856

DRY CHEMICAL AGENT (FIG 1)

| P/N | DESCRIPTION |
|-------|---------------------------------------|
| AX555 | Model 555 ABC Dry Chemical F13, 45 lb |

DRY CHEMICAL NOZZLES and NOZZLE CAPS (FIG 2).

| P/N | DESCRIPTION |
|---------|---|
| AX16170 | Tankside Nozzle (TS) |
| AX16172 | Total Flood Nozzle (TF) |
| AX17809 | Total Flood Perimeter Nozzle (TFP) |
| AX16174 | 3-Way Nozzle |
| AX16190 | Duct and Plenum Nozzle (D/P) |
| AX16192 | Screening Nozzle (SCR) |
| AX16216 | Local Application, Overhead Nozzle (LOAH) |
| AX14988 | Nozzle Cap, Standard, Pkg/10 |
| AX17810 | Nozzle Cap, TFP |



AX12524



AX18312

SERVICE MANUAL

| P/N | DESCRIPTION |
|---------|-------------------------------------|
| AX15040 | Service Manual IS Industrial System |

AMEREX® COMMON SYSTEM PARTS

CARTRIDGE (FIG 1)

| P/N | DESCRIPTION |
|---------|---|
| AX12856 | Nitrogen Cylinder (10 in ³) |



AX12508

ELECTRICAL SWITCHES/ COMPONENTS (FIG 1)

| P/N | DESCRIPTION |
|---------|---|
| AX12524 | SPDT Snap Action Microswitch w/ 18" Leads |
| AX18312 | Alarm Initiating Snap Action Switch |

DETECTOR (FIG 3)

| P/N | DESCRIPTION |
|---------|--|
| AX12508 | Detector Assembly (Bracket, Linkage, & Conduit Fittings) |



AX16226

BULB TYPE LINKS (FIG 3)

| P/N | DESCRIPTION |
|---------|---------------------------|
| AX16225 | 200°F Quick Response Link |
| AX16226 | 286°F Quick Response Link |
| AX16227 | 360°F Quick Response Link |

CORNER PULLEYS (FIG 4)

| P/N | DESCRIPTION |
|---------|-----------------------------------|
| AX12309 | Corner Pulley |
| AX12506 | Pulley Tee |
| AX16444 | Corner Pulley Brooks Model CP5 |
| AX12507 | Conduit Offset |



GAS VALVES and ACCESSORIES (FIG 5).

| P/N | DESCRIPTION |
|---------|------------------------------------|
| AX12790 | 3/4" Amerex Mechanical Gas Valve |
| AX12791 | 1" Amerex Mechanical Gas Valve |
| AX12792 | 1 1/4" Amerex Mechanical Gas Valve |
| AX12793 | 1 1/2" Amerex Mechanical Gas Valve |
| AX12794 | 2" Amerex Mechanical Gas Valve |
| GVA250 | 2 1/2" ASCO Mechanical Gas Valve |
| GVA300 | 3" ASCO Mechanical Gas Valve |
| AX13622 | Gas Valve Actuator Kit |
| AX12740 | Gas Valve Trip Assembly |



MANUAL PULL STATIONS (FIG 6)

| P/N | DESCRIPTION |
|---------|---|
| AX21481 | Manual Pull Station (Recess or Surface Mount) |



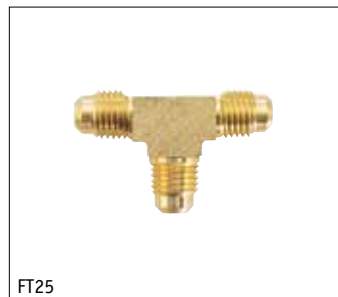
COPPER TUBING and FITTINGS (for system installations) meet SAE J513, as specified in the manufacturer's manual. Tees and connectors do not include flare nuts.

| P/N | DESCRIPTION |
|--------|---|
| ACT049 | 1/4" x 50' Copper Tubing (0.049" Wall) |
| ▲FC25 | 1/4", 45° Flare x 1/4" NPT Male Connector |
| ▲FN25 | 1/4", 45° Flare Nut |
| ▲FT25 | 1/4", 45° Flare Tee |
| ▲FC13 | 1/4", 45° Flare x 1/8" NPT Male Connector |

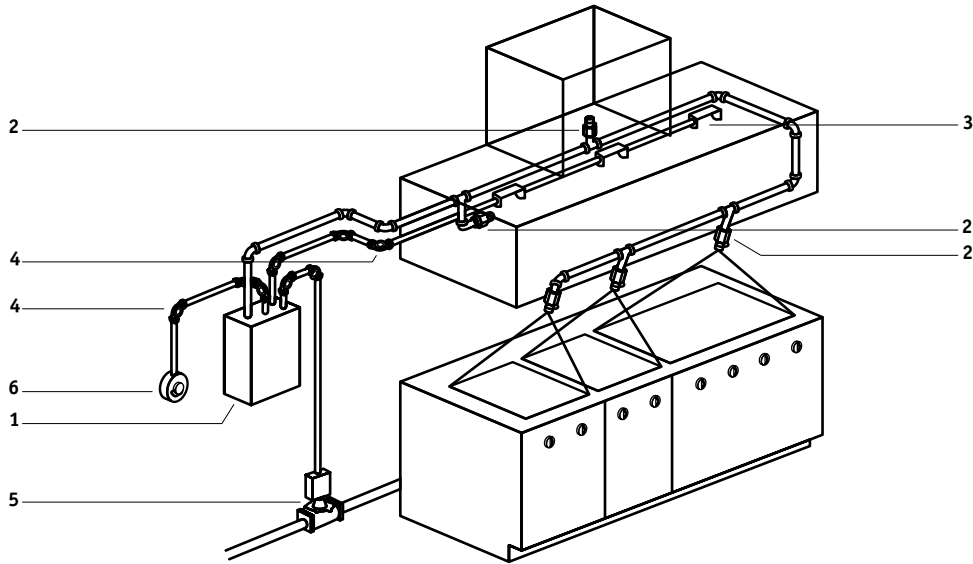


SERVICE TOOLS and REPAIR PARTS.

| P/N | DESCRIPTION |
|---------|----------------------|
| AX12738 | Set Up/Lock-Out Tool |
| AX13341 | Cocking Tool |



WARNING: This product may contain a chemical known to the State of California to cause cancer and/or birth defects or other reproductive harm.



ANSUL® KITCHEN SYSTEM PARTS

Automan® REGULATED RELEASE and TANKS (FIG 1).

| P/N | DESCRIPTION |
|-----------|---|
| ✓ A429853 | Mechanical Automan Regulated Release ** |
| ✓ A429856 | Electrical Automan Regulated Release ** |
| ✓ A429859 | 24 VDC Automan Regulated Release ** |
| ✓ A429850 | Regulated Actuator & Enclosure |
| ✓ A79493 | OEM Mechanical Regulated Release |
| ✓ A418054 | OEM Electrical Regulated Release |
| ✓ A418691 | OEM Regulated Actuator w/ Bracket |
| ✓ A418522 | OEM Regulated Actuator w/o Bracket |
| A429870 | Stainless Steel Enclosure (Only) |
| A429872 | Two-Tank Stainless Steel Enclosure (Only) |
| A429864 | 1.5 gal Stainless Steel Tank |
| A429862 | 3 gal Stainless Steel Tank |
| A429878 | 3 gal Stainless Steel Tank Bracket |
| A423744 | Replacement Automan Cover |
| A417582 | 8" Actuation Hose, Stainless Steel |
| A31809 | 16" Actuation Hose, Stainless Steel |
| A32336 | 24" Actuation Hose, Stainless Steel |
| A430815 | 42" Actuation Hose, Stainless Steel |

**ORDER TANKS AND CARTRIDGES SEPARATELY.

✓ **Authorized Distributors Only**



A429853



A429862



A7032, A5373

CARTRIDGES and CAP (FIG 1).

| P/N | DESCRIPTION |
|--------|------------------------------------|
| A7032 | LT-20-R Nitrogen Cartridge |
| A5373 | LT-30-R Nitrogen Cartridge |
| A73022 | R-102 Double Cartridge |
| A17492 | 101-20 Cartridge |
| A15851 | 101-30 Cartridge |
| A29187 | LT-A-101-30 Multiple Cartridge |
| A77251 | RH Threaded Cartridge Shipping Cap |

CHEMICAL (FIG 1)

| P/N | DESCRIPTION |
|---------|--------------------------------------|
| A79372 | Ansulex Liquid Chemical, 3 gal |
| A79694 | Ansulex Liquid Chemical, 1.5 gal |
| A426199 | Ansulex Liquid Chemical, 55 gal Drum |
| A423320 | PRX Liquid Agent, 5 gal |
| A430182 | PRX Liquid Agent, 6 L |
| A79656 | Flushing Concentrate, 32 oz |



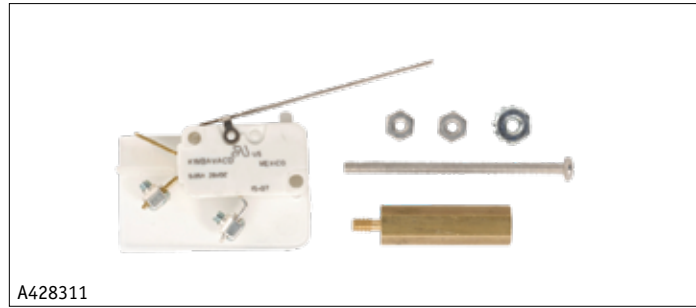
A79372



A79656

MICROSWITCHES (FIG 1)

| P/N | DESCRIPTION |
|---------|---------------------------|
| A423878 | SPDT Microswitch |
| A423879 | DPDT Microswitch |
| A423880 | 3PDT Microswitch |
| A423881 | 4PDT Microswitch |
| A428311 | Alarm Release Microswitch |
| AES | Extension Studs, Pkg/6 |



A428311

NOZZLES for **Ansul® R-102®** and **Piranha®** fire suppression systems (FIG 2) come with replaceable rubber caps.

NOTE: When no longer available, use the streamlined body nozzles below.

| P/N | DESCRIPTION |
|----------|-----------------------|
| A418569 | Nozzle Swivel Adapter |
| A419337* | 2W Nozzle (419348) |
| A419343 | 2120 Nozzle (419354) |

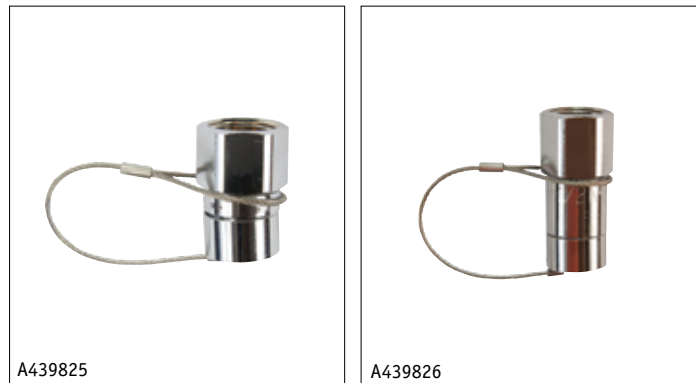
*WHILE QUANTITIES LAST!



A418569

Streamlined **NOZZLES** with metal blow-off caps are direct replacements for the older rubber blow-off caps above.

| P/N | DESCRIPTION |
|---------|-----------------------------------|
| A418569 | Nozzle Swivel Adapter |
| A439825 | 1F Nozzle (439836/443319) |
| A439826 | 1/2N Nozzle (439837/443321) |
| A439827 | 1N Nozzle (439838/443317) |
| A439828 | 1W Nozzle (439839/443323) |
| A439829 | 2W Nozzle (439840/443325) |
| A439830 | 3N Nozzle (439841/443327) |
| A439831 | 230 Nozzle (439842/443329) |
| A439832 | 245 Nozzle (439843/443331) |
| A439833 | 260 Nozzle (439844/443333) |
| A439834 | 290 Nozzle (439845/443335) |
| A439835 | 2120 Nozzle (439846/443337) |
| A440005 | Piranha AP Nozzle (440006/443339) |
| A440008 | Piranha DL Nozzle (440009/443341) |
| A434455 | Henny Penny Nozzle Kit |



A439825

A439826

OLD STYLE NOZZLE CAPS (FIG 2)

BLOW-OFF CAPS help protect system nozzles from accumulation of dirt and grime. Rubber blow-off caps are to be replaced annually.

NOTE: Not for use on the new streamlined nozzles.

| P/N | DESCRIPTION |
|----------|--------------------------------|
| A77695 | Rubber Blow-Off Caps, Pkg/50 |
| A433208 | CB Metal Blow-Off Caps, Pkg/10 |
| PC551530 | Metal Cap O-Rings, Pkg/10 |



A439827

A439830

A440005



A77695

A433208

STREAMLINED NOZZLE CAPS (FIG 2)

BLOW-OFF CAPS help protect system nozzles from accumulation of dirt and grime.

| P/N | DESCRIPTION |
|---------|---|
| A439861 | Streamlined Metal Blow-Off Caps, Pkg/50 |
| A439848 | R-102 Nozzle O-Rings, Pkg/25 |



A439848



A435547



A435545

DETECTORS and PARTS (FIG 3).

| P/N | DESCRIPTION |
|---------|---|
| A435546 | Terminal Scissor-Style Detector Kit |
| A435547 | Series Scissor-Style Detector Kit |
| A435545 | Replacement Linkage Scissors, Stainless Steel |



A423250



A427929

CORNER PULLEYS (FIG 4)

| P/N | DESCRIPTION |
|---------|-------------------------|
| A423250 | Corner Pulley |
| A415670 | Set Screw Corner Pulley |
| A427929 | Tee Pulley |



A55601

GAS VALVES and ACCESSORIES (FIG 5).

| P/N | DESCRIPTION |
|---------|------------------------------------|
| A55598 | 3/4" Ansul Mechanical Gas Valve |
| A55601 | 1" Ansul Mechanical Gas Valve |
| A55604 | 1 1/4" Ansul Mechanical Gas Valve |
| A55607 | 1 1/2" Ansul Mechanical Gas Valve |
| A55610 | 2" Ansul Mechanical Gas Valve |
| GVB250 | 2 1/2" ASCO Mechanical Gas Valve** |
| GVB300 | 3" ASCO Mechanical Gas Valve** |
| A15733 | Pneumatic Piston Kit |
| A416018 | Cocking Lever |

[For Mechanical Gas Valve](#)

**ORDER P/N A15733 SEPARATELY FOR THE ASCO VALVES. ANSUL® VALVES INCLUDE THE PNEUMATIC PISTON KIT.



A434618



A435725

REMOTE PULL STATIONS and ACCESSORIES (FIG 6).

| P/N | DESCRIPTION |
|---------|---|
| A434618 | Remote Pull Station w/o Cable |
| A435960 | Remote Pull Station w/ 50' Cable |
| A435725 | Bearings & Bolts, Pkg/10 |
| | For Remote Pull |
| A435726 | Pull Tabs, Pkg/10 |
| | For A434618 & A435960 |
| RPBOX | Non-Chrome Remote Pull Box |
| ARBOX | Chrome Remote Pull Box |



A435726

FLEXIBLE CONDUIT and ACCESSORIES.

A435979



A434347

| P/N | DESCRIPTION |
|---------|--|
| A434525 | Flexible Conduit, 500' |
| A435959 | Flexible Conduit w/ Wire Rope, 500' |
| A435979 | Flexible Conduit Strain Relief, Pkg/50 |
| A434347 | Flexible Conduit Inserts, Pkg/50 |
| A436150 | P-Clip, Pkg/50 |
| A436063 | Conduit Offset, Pkg/6 |

Ansul® is a registered mark of Tyco Fire Products LP.

ACCESSORIES

| P/N | DESCRIPTION |
|----------|---|
| A79318 | R-102 Regulator |
| A417911 | R-102 Bursting Discs, Pkg/10 |
| 56909AS | Collar O-Ring – System Tank |
| A68800 | Vent Plug |
| A79007 | R-102 Hose Assembly |
| A418511 | Hose/Grommet Package |
| A417700 | Siphon Tube Assembly |
| A416970 | Bursting Disc Union Assembly |
| N1800 | 1/8" Close Nipple For Actuating Line |
| BP27 | 1/4" x 1/8" Reducing Cplg For Actuating Line |
| 435982AS | Agent Dist Kit, 5' |

SERVICE TOOLS

| P/N | DESCRIPTION |
|---------|--|
| A441041 | Cocking Lever & Bar |
| A441042 | Short Locking Lever & Bar |
| A14985 | Locking Bar (Only) |
| A416018 | Cocking Lever For Mechanical Gas Valve |
| TL915 | System Linkage Pliers, Locking |
| TL910 | System Linkage Pliers, Non-Locking |
| EZFILL | EZ-Fill Siphon |
| HTA42 | Hydro Adapter For R-102 w/ Internal Threads |
| A438031 | Locking Pin |

SERVICE MANUALS

| P/N | DESCRIPTION |
|----------|--|
| A2006144 | R-102 UL 300 Wet Chemical Fire Suppression System Manual |

ANSUL® INDUSTRIAL SYSTEM PARTS

ACCESSORIES

| P/N | DESCRIPTION |
|---------|--|
| A13193 | LT-10-R Cartridge, 10 lb |
| A15850 | 101-10 Cartridge, 10 lb |
| A416698 | Valve Stem & O-Ring Assembly (IND-X) |
| A415843 | Replacement O-Ring (IND-X) For Stem |
| A417809 | Recharge Adapter (IND-X) |
| A416018 | Cocking Lever – Mechanical Gas Valve |
| A26310 | Cocking Lever – Ansul Automan II-C |
| A9336 | “Plus-Fifty C” Dry Chemical, 50 lb Pail |



A79318



A417700



A416970



A441041



A416018 In Use



TL915



TL910



A416698

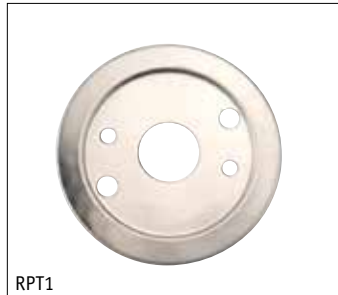


A9336



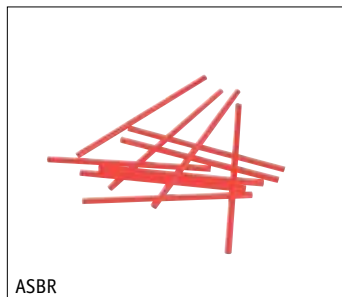
Brooks' high-temperature ball bearing **COMPRESSION CORNER PULLEY** is UL classified for use in **Ansul®** fire suppression systems, per NFPA 17 and 17A. Its steel compression nuts eliminate thread stripping, and it has more threads than most for a stronger, easier-to-install corner pulley. Its ball bearing roller is pressed into place and stays when you remove the cover.

| P/N | DESCRIPTION |
|-----|---------------------------|
| CP5 | Compression Corner Pulley |



The **REMOTE PULL** is UL classified for use in **Ansul®** fire suppression systems, per NFPA 17 and 17A.

| P/N | DESCRIPTION |
|------|---|
| ASRP | Remote Pull |
| RPT1 | ASRP Stainless Steel Trim |
| RSS | Set Screws, Pkg/10 For ASRP Break Rod Post |

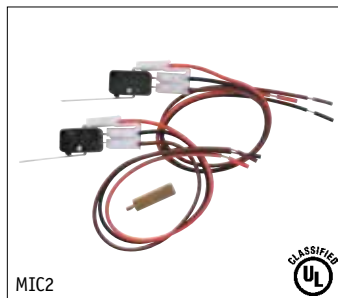
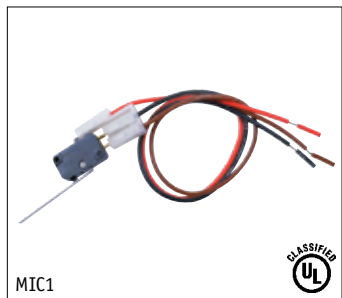


These **BREAK RODS** are compatible with the **Ansul®** remote pull and the **ASRP**. Pkg/10.

| P/N | DESCRIPTION |
|------|-------------------|
| ASBR | Remote Break Rods |

JUNCTION BOXES for mounting remote pulls.

| P/N | DESCRIPTION |
|-------|----------------------------|
| RPBOX | Non-Chrome Remote Pull Box |
| ARBOX | Chrome Remote Pull Box |

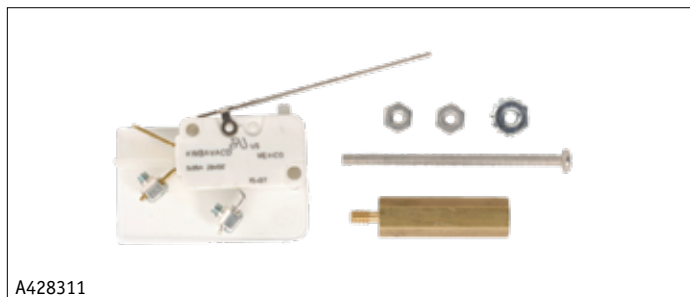


UL classified **MICROSWITCHES** for **Ansul®** systems come complete with wiring harnesses and hardware.

| P/N | DESCRIPTION |
|------|--|
| MIC1 | SPDT Microswitch |
| MIC2 | DPDT Microswitch |
| AES | Extension Studs, Pkg/6 To Add More Switches |

Alarm initiating **MICROSWITCH KIT** is for connection between **Ansul® Automan** and a fire alarm control panel.

| P/N | DESCRIPTION |
|---------|-------------------|
| A428311 | Alarm Microswitch |



Take the guesswork out of nozzle positioning with this **NOZZLE AIMING DEVICE**. It mounts directly onto a nozzle and uses a small laser light to reflect on the surface at which it is aimed. Move the nozzle until it is aimed correctly, then tighten it into place.

NOTE: Adapters for nozzle aiming device sold separately.

| P/N | DESCRIPTION |
|----------|--|
| PC551265 | Nozzle Aiming Device (Only) |
| A439876 | Adapter, White (Ansul) For Aiming Device |
| ▲EL1CR2* | Replacement Batteries, Pkg/2 <small>*UNAVAILABLE IN AK, HI, PR, OR CATALINA</small> |



Automan® is a registered mark of Tyco Fire Products LP.

WARNING: This product may contain a chemical known to the State of California to cause cancer and/or birth defects or other reproductive harm.

Dow Corning® SILICONE GREASE NO. 111 is recommended by **Ansul** for use with rubber and metal blow-off caps on discharge nozzles, protecting both caps and nozzle orifices. **NOTE:** Re-application required at each semi-annual maintenance examination.

| P/N | DESCRIPTION |
|-------|-------------------------|
| SL111 | Silicone Grease No. 111 |

These aluminum **BURSTING DISCS** are installed to prevent the extinguishing agent from entering the pipe during extreme temperature variations. Pkg/25.

NOTE: BDA is for dry chemical systems only.

| P/N | DESCRIPTION |
|-----|-------------------------|
| BDA | Aluminum Bursting Discs |

R-102® BURSTING DISCS are installed to prevent extinguishing agents from entering the pipe during extreme temperature variations. Pkg/10.

NOTE: R102BDA is for R-102 wet chemical systems only.

| P/N | DESCRIPTION |
|---------|----------------------|
| R102BDA | R-102 Bursting Discs |

The **PNEUMATIC PISTON KIT** is for actuating a mechanical gas valve and is UL classified for use in **Ansul®** systems, per NFPA 17 and 17A.

| P/N | DESCRIPTION |
|--------|-----------------------------|
| PKA | Pneumatic Piston Kit |
| PKAKIT | Replacement Hardware (Only) |

As required every 12 years, per the **Ansul®** maintenance manual, this **REGULATOR TEST KIT** is for testing the **Ansul Automan®** regulator.

| P/N | DESCRIPTION |
|------|--------------------------|
| RTK | R-102 Regulator Test Kit |
| RTK6 | RTK Gauge, 300 psi |



SL111



BDA



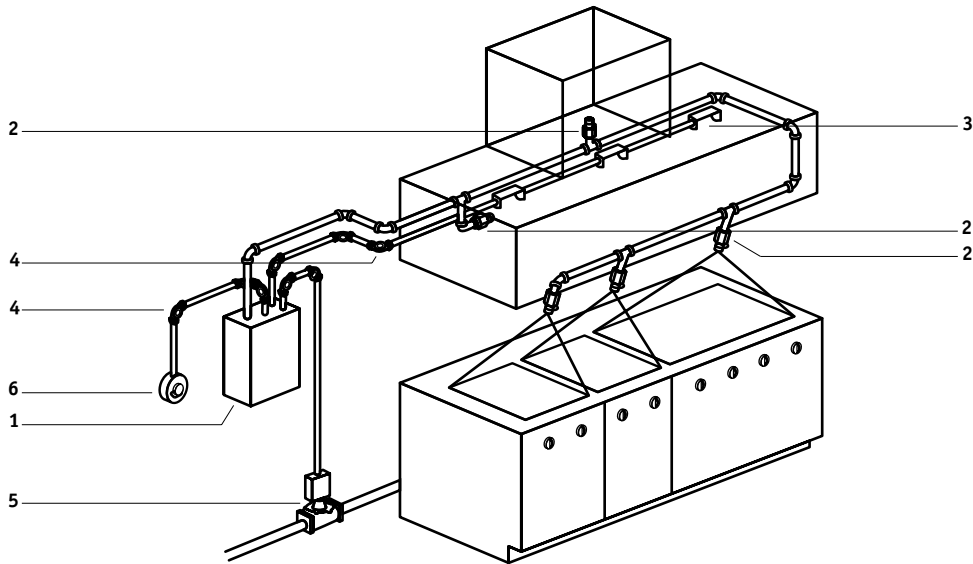
R102BDA



PKA



RTK



KIDDE AND BADGER™ KITCHEN SYSTEM

CYLINDERS, CONTROL HEADS, and BRACKETS (FIG 1).

| P/N | DESCRIPTION |
|------------|--|
| K120001 | WHDR-125 Cylinder/Valve 1.25 gal – Kidde |
| B120001 | RG-1.25G Cylinder/Valve, 1.25 gal – Badger |
| K120002 | WHDR-260 Cylinder/Valve 2.6 gal – Kidde |
| B120002 | RG-2.5G Cylinder/Valve, 2.5 gal – Badger |
| K120003 | WHDR-400S Short Cylinder/Valve, 4 gal – Kidde |
| B120003 | RG-4S Short Cylinder/Valve, 4 gal – Badger |
| K120006 | WHDR-400M Medium Cylinder/Valve, 4 gal – Kidde |
| B120006 | RG-4M Medium Cylinder/Valve, 4 gal – Badger |
| K120005 | WHDR-600 Cylinder/Valve, 6 gal – Kidde |
| B120005 | RG-6G Cylinder/Valve, 6 gal – Badger |
| ✓ K1200992 | XV Control System |
| ✓ B1200992 | New UCH Control System – Badger |
| ✓ K1200101 | KRS-50 Control Box Assembly |
| ✓ B1200101 | A+ Control Box Assembly – Badger |
| KR97220 | Cable Tension Block Assembly |

| | |
|-----------|---|
| B9189412 | Pneumatic Release |
| KR9197430 | Wall Bracket, 1.3 gal Cylinder |
| KR9197263 | Wall Bracket, 2.6 gal Cylinder |
| KR9197415 | Wall Bracket, 4 gal Short Cylinder |
| KR9197414 | Wall Bracket, 4 gal Medium Cylinder |
| KR100013 | Shelf Bracket, 6 gal & 4 gal Medium Cylinder (Requires 87-10010-001 for Floor Mount) |
| KR100010 | Floor Mounting Kit for 6 gal & 4 gal Medium Wet Chemical Cylinders (Requires 87-100013-001 Shelf Bracket) |

✓ **Authorized Distributors Only**

CHEMICAL (FIG 1)

| P/N | DESCRIPTION |
|----------|------------------------|
| KR120030 | Wet Chemical, 1.25 gal |
| KR120031 | Wet Chemical, 2.5 gal |
| KR120032 | Wet Chemical, 4 gal |
| KR120033 | Wet Chemical, 6 gal |



K120001



B120002



K1200992



B1200101



KR120031



KR120032

NOZZLES and ACCESSORIES (FIG 2).

| P/N | DESCRIPTION |
|----------|--|
| KR120021 | Swivel Adapter, 3/8" |
| KR120011 | Nozzle "ADP" |
| KR120012 | Nozzle "F" |
| KR120013 | Nozzle "GRW" |
| KR120014 | Nozzle "R" |
| KR120015 | Nozzle "DM" |
| KR120022 | Nozzle "LPF" |
| KR120024 | Nozzle "LPR" |
| KR97054 | Replacement Nozzle Seals Pkg/10 |
| KR97290 | Replacement Nozzle Disc Cap <i>NOT for LPR Nozzle, Pkg/10</i> |
| KR120026 | Replacement LPR Nozzle Disc Cap <i>LPR Nozzle Only</i> |

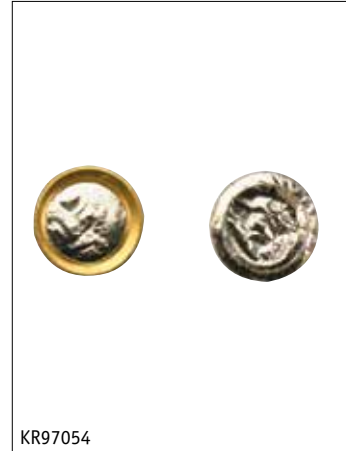


KIDDE AND BADGER™ INDUSTRIAL SYSTEMS PARTS

CYLINDERS, ENCLOSURES, and BRACKETS (FIG 1).

| P/N | DESCRIPTION |
|------------|---|
| K486570 | IND-25 Cylinder/Valve Assembly, 25 lb BC |
| K486571 | IND-50 Cylinder/Valve Assembly, 50 lb BC |
| K100019 | IND-75 Cylinder/Valve Assembly, 75 lb BC |
| K486573 | IND-21 Cylinder/Valve Assembly, 21 lb ABC |
| K486574 | IND-45 Cylinder/Valve Assembly, 45 lb ABC |
| K100018 | IND-70 Cylinder/Valve Assembly, 68 lb ABC |
| ✓ K1200992 | XV Control System |
| K874290 | Pressure Operated Release |
| K100035 | Actuation Delay <i>Required for Vehicle Paint Booth Systems</i> |
| K896516 | IND, Sentinel DCS 2-Way Transfer Tee, 1" NPT |
| K802398 | Main/Reserve Electric Transfer Switch, 802398 |
| K310330 | Nameplate, "Main" |
| K310340 | Nameplate, "Reserve" |
| K486487 | Wall Bracket <i>For 21 lb ABC & 25 lb BC Dry Chemical Cylinders</i> |
| K486488 | Wall Bracket <i>For 45/50 lb Dry Chemical Cylinders</i> |
| K100009 | Wall/Floor Bracket, 70 lb ABC & 75 lb BC Cylinders (Requires 87-100010-001 for Floor Mount) |
| KR100010 | Floor Mounting Kit (Requires 87-100009-001 Shelf Bracket) <i>For 70 lb ABC & 75 lb BC Dry Chemical Cylinders</i> |

✓ **Authorized Distributors Only**



DRY CHEMICAL (FIG 1)

| P/N | DESCRIPTION |
|---------|--|
| K804904 | Regular BCM Dry Chemical (BC) 50 lb Pail |
| K806411 | Kidde 90 Multipurpose Dry Chemical (ABC) |





K844258



K259072

NOZZLES and ACCESSORIES (FIG 2).

| P/N | DESCRIPTION |
|---------|---|
| K100005 | Total Flooding (TF) Nozzle |
| K100006 | Duct/Plenum (DP) Nozzle |
| K100037 | 3-Way Nozzle |
| K844258 | Low Overhead Nozzle |
| K259270 | High Overhead Nozzle |
| K259072 | Tankside Nozzle (Local Application) |
| K100050 | Flow Restrictor, 3/4" NPT |
| K100051 | Flow Restrictor, 1" NPT |
| K250099 | Replacement Cap For Total Flooding & 3-Way Nozzles |
| K264742 | Replacement Cap For Duct/Plenum Nozzle |
| K235348 | Replacement Cap For Tankside Nozzle |
| K844883 | Overhead/End Coverage Nozzle |
| K220325 | Replacement Cap For Overhead/End Coverage Nozzle |

ACCESSORIES (FIG 4)

| P/N | DESCRIPTION |
|---------|--|
| K878767 | Complete Valve Assembly For IND Cylinders |
| K100038 | Rebuild Kit For IND Actuation Delay |
| K283951 | Replacement Pressure Gauge |
| K237437 | Brass Fusible Plug |



KR120043



KR235557

KIDDE AND BADGER™ COMMON SYSTEMS PARTS

ACTUATOR CARTRIDGES (FIG 1) KR120043 and **KR235557** must be periodically replaced in accordance with the **Kidde/Range Guard®** manual. (Refer to manual for replacement intervals and installation instructions.) **KR120044** is a test cartridge used during semi-annual and annual service only.

NOTE: Make sure to check cartridge weight before installation.

| P/N | DESCRIPTION |
|----------|--|
| KR120043 | Nitrogen System Cartridge For XV/UCH |
| KR120044 | Nitrogen Test Cartridge For XV/UCH |
| KR235557 | CO ₂ Cartridge For KRS-50/A+ |

MICROSWITCHES (FIG 1)

| P/N | DESCRIPTION |
|------------|---|
| KR120039 | Microswitch Kit, SPDT, Solid Color Pigtailed |
| KRST120039 | Microswitch Kit, SPDT, Striped Color Pigtailed |
| KR120047 | Microswitch Kit, SPDT, Terminal Type, Alarm/Release |
| KR97227 | Microswitch, SPDT, (KRS50/A+) |
| KR97228 | Microswitch, DPDT, (KRS50/A+) |
| KR9197023 | Pressure Switch, SPDT (Fire Department Tie-In) |

UL classified **Range Guard®**-style **MICROSWITCHES** (for older control heads) come complete with wiring harnesses and hardware.

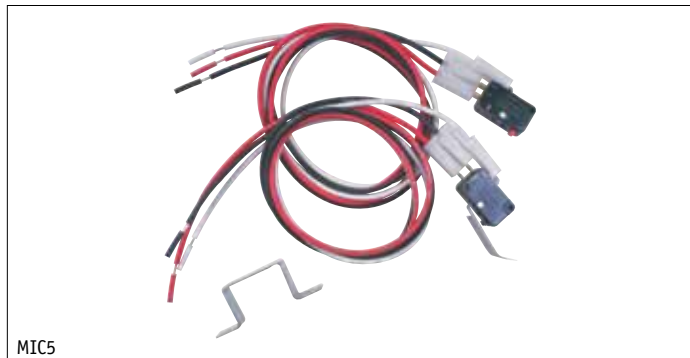
| P/N | DESCRIPTION |
|------|---|
| MIC4 | Range Guard-Style SPDT Microswitch |
| MIC5 | Range Guard-Style DPDT Microswitch |
| MIC6 | Range Guard & Kidde-Style SPDT "A+", KRS-50, Series Microswitch |
| MIC7 | Range Guard & Kidde-Style DPDT "A+", KRS-50, Series Microswitch |



KR120039



KR120047



MIC5

DETECTORS (FIG 3)

| P/N | DESCRIPTION |
|----------|---|
| KR120064 | Universal Link Detector Housing Kit |
| KR804548 | Low Profile Link Detector Housing Kit For XV/UCH |

CORNER PULLEYS (FIG 4)

| P/N | DESCRIPTION |
|----------|-------------------------|
| K844648 | Corner Pulley, 1/2" EMT |
| B844648 | Badger Corner Pulley |
| KR843792 | Double Tee Pulley |

GAS VALVES (FIG 5)

| P/N | DESCRIPTION |
|----------|--|
| KR120071 | 3/4" NPT Mechanical Cable-Operated Gas Shutoff Valve |
| KR120072 | 1" NPT Mechanical Cable-Operated Gas Shutoff Valve |
| KR120073 | 1 1/4" NPT Mechanical Cable-Operated Gas Shutoff Valve |
| KR120074 | 1 1/2" NPT Mechanical Cable-Operated Gas Shutoff Valve |
| KR120075 | 2" NPT Mechanical Cable-Operated Gas Shutoff Valve |
| KR120076 | 2 1/2" NPT Mechanical Cable-Operated Gas Shutoff Valve |
| KR120077 | 3" NPT Mechanical Cable-Operated Gas Shutoff Valve |

REMOTE PULL STATIONS (FIG 6)

| P/N | DESCRIPTION |
|---------|-------------------------------|
| K120110 | Remote Manual Release, Kidde |
| B120110 | Remote Manual Release, Badger |

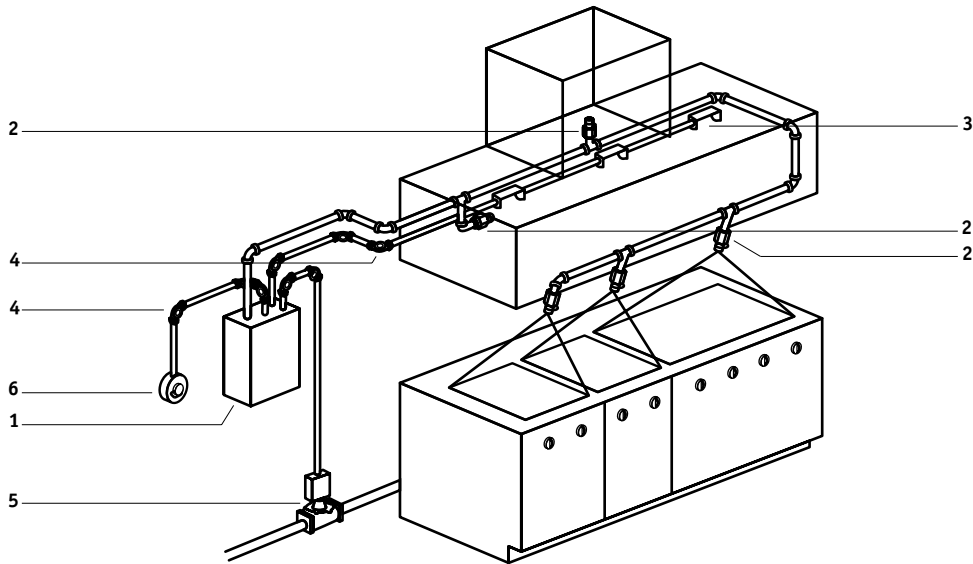
UCH and XV™ CONTROL SYSTEM.

| P/N | DESCRIPTION |
|----------|--|
| KR045001 | XV & Sentinel High-Pressure Hose, 7 1/2" |
| KR045002 | High Pressure Hose, 24" |
| KR045003 | High Pressure Hose, 60" |
| KR100034 | Solenoid Kit (Electric Actuator), 24 VDC |

ACCESSORIES

| P/N | DESCRIPTION |
|------------|---|
| KR844908 | Discharge Adapter Kit |
| KR120042 | System Valve Actuator (SVA) |
| B120009 | Valve Assembly For Range Guard Cylinders Only |
| KR120067 | Valve Assembly Rebuild Kit (All) |
| OR4 | O-Ring, Valve Stem |
| OR43 | O-Ring, Valve Neck (56610327) |
| KR490004 | Valve Stem Snap Rings, Pkg/10 |
| KR255096 | Valve Top Protection Plate |
| KR255681 | Anti-Recoil Plate |
| KR87120072 | UCH Valve Body Update Kit |
| KR120046 | Control System Valve Rebuild Kit, XV, UCH |
| KR236204 | Flat Gasket, XV, UCH Control |
| KR237167 | Piercing Pins, Yellow (XV, UCH), Pkg/10 |
| KR197215 | Piercing Pins (KRS-50, A+), Pkg/10 |
| KR1419239 | O-Ring, Piercing Pin (All) |
| KR97220 | Cable Tensioning Block, KRS-50, A+ |
| KR120068 | Solid Plug |
| KR96984 | Vent Plug |
| KR131024 | Gauge Shield |
| G175K | Wet Chemical Gauge, 175 psi |
| G225K | Wet Chemical Gauge, 225 psi |
| KR117989 | Replacement Bracket Strap For 4 & 6 gal Wet Chemical Cylinders, 70 lb & 75 lb Dry Chemical Cylinders |
| KR9197108 | Keeper Pin For XV and KRS-50 |
| KR279262 | IND & WHDR Recharge Adapter |
| HTA24 | IND, WHDR & Sentinel Hydrostatic Test Adapter |
| KR253538 | Cable Crimp Tool |





PYRO-CHEM® KITCHEN KNIGHT® II SYSTEM PARTS CYLINDERS, ENCLOSURES, and BRACKETS (FIG 1).

| P/N | DESCRIPTION |
|------------|---|
| PC553163 | PCL 160 Charged Cylinder, 1.6 gal |
| PC551194 | PCL 300 Charged Cylinder, 3 gal |
| PC551193 | PCL 460 Charged Cylinder, 4.6 gal |
| PC551196 | PCL 600 Charged Cylinder, 6 gal |
| PC550053 | MB-1 Cylinder Bracket For PLC 600 |
| PC550054 | MB-15 Cylinder Bracket For PLC 160, PCL 300, & PCL 460 |
| PC550103 | PAC-10 Cylinder Bracket |
| PC550966 | EN-S Enclosure For Secondary Cylinders |
| ✓ PC551204 | NMCH-DPT Control Head w/ Switch |
| PC550853 | MB-P2 Control Head Mounting Bracket |
| PC550104 | PAC-10 Pneumatic Actuating Cylinder |
| PC550093 | PAC-100 Pneumatic Actuating Cylinder |
| PC417582 | 8" Actuation Hose, Stainless Steel |
| PC31809 | 16" Actuation Hose, Stainless Steel |
| PC32336 | 24" Actuation Hose, Stainless Steel |
| PC430815 | 42" Actuation Hose, Stainless Steel |

✓ **Authorized Distributors Only**



CHEMICAL (FIG 1)

| P/N | DESCRIPTION |
|----------|--------------------------------|
| PC553176 | RL-160, 1.6 gal Recharge Agent |
| PC551188 | RL-300, 3.0 gal Recharge Agent |
| PC79656 | Flushing Concentrate, 32 oz |



NOZZLES (FIG 2)

| P/N | DESCRIPTION |
|----------|----------------|
| PC418569 | Swivel Adapter |
| PC551026 | 1L Nozzle |
| PC551027 | 2L Nozzle |
| PC551028 | 2H Nozzle |
| PC551029 | 1H Nozzle |
| PC551038 | 2D Nozzle |



Replacement NOZZLE CAPS (FIG 2).

NOTE: Pyro-Chem requires that the rubber caps (PC550016) be replaced annually.

| P/N | DESCRIPTION |
|----------|--------------------------------|
| PC623 | NL Series Nozzle Cap |
| PC550016 | Rubber Nozzle Caps, Pkg/12 |
| PC551530 | Nozzle O-Rings (PC625), Pkg/10 |

NOZZLE CAPS (con't)

| P/N | DESCRIPTION |
|----------|---|
| PC551265 | Nozzle Aiming Device (Only) |
| PC550926 | Pyro-Chem Adapter, Black For Aiming Device |
| ▲EL1CR2* | Replacement Batteries, Pkg/2 *UNAVAILABLE IN AK, HI, PR, OR CATALINA |

FLEXIBLE CONDUIT and **ACCESSORIES.**

| P/N | DESCRIPTION |
|---------|--|
| A434525 | Flexible Conduit, 500' |
| A435959 | Flexible Conduit w/ Wire Rope, 500' |
| A435979 | Flexible Conduit Strain Relief, Pkg/50 |
| A434347 | Flexible Conduit Inserts, Pkg/50 |
| A436150 | P-Clip, Pkg/50 |
| A436063 | Conduit Offset, Pkg/6 |

ACCESSORIES

| P/N | DESCRIPTION |
|----------|--------------------------------|
| PC550698 | Wet Valve Rebuild Kit |
| PC551061 | Regulator Rebuild Kit |
| G225K | Wet Chemical Gauge, 225 psi |
| PC550716 | Wet Valve Neck O-Ring (420716) |

SERVICE TOOLS

| P/N | DESCRIPTION |
|----------|---|
| PC550788 | Wet Valve Tool |
| PC551240 | Recharge Adapter For Kitchen Knight II |
| HTA41 | Hydrotest Adapter |
| EZFILL | EZ-Fill Siphon |
| PC550938 | Bleed Down Adapter |

PYRO-CHEM® MONARCH® AND ATTENDANT™ SYSTEM PARTS

CYLINDERS, ENCLOSURES, and BRACKETS (FIG 1).

| P/N | DESCRIPTION |
|------------|---|
| PC551654 | PCI-17ABC Cylinder w/ Valve, ABC Agent, 17 lb |
| PC551097 | PCI-35ABC Cylinder w/ Valve, ABC Agent, 35 lb |
| PC551094 | PCI-70ABC Cylinder w/ Valve, ABC Agent, 70 lb |
| PC550388 | PCI-15ABC Cylinder w/ Valve, ABC Agent, 12.5 lb |
| PC550390 | PCI-25sABC Cylinder w/ Valve, ABC Agent, 25 lb |
| PC550393 | PCI-50sBC Cylinder w/ Valve, BC Agent, 50 lb |
| PC550392 | PCI-50sABC Cylinder w/ Valve, ABC Agent, 50 lb |
| ✓ PC551203 | NMCH Control Head, Mechanical w/o Local Actuation |
| ✓ PC551204 | NMCH-DPT Control Head w/ Switch, Mechanical w/o Local Actuation |
| ✓ PC551200 | MCH Control Head, Mechanical, w/ Local Actuation |
| ✓ PC551201 | ECH-24 Control Head, Electrical, 24 VDC w/ Local Actuation |
| ✓ PC551202 | ECH-120 Control Head, Electrical, 120 VAC w/ Local Actuation |
| ✓ PC551206 | NECH-24V Control Head, Electrical, 24 VDC w/o Local Actuation |
| ✓ PC551207 | NECH-120V Control Head, Electrical, 120 VAC w/o Local Actuation |
| PC550303 | SM-24 System Circuit Monitor, 24 VDC |
| PC550302 | SM-120 System Circuit Monitor, 120 VAC |
| PC550665 | MB-ATD Mounting Bracket, ATD 35/75 Cylinders |
| PC550053 | MB-1 Cylinder Mounting Bracket |
| PC550054 | MB-15 Cylinder Mounting Bracket |

✓ **Authorized Distributors Only**

CHEMICAL (FIG 1)

| P/N | DESCRIPTION |
|----------|--|
| PC550695 | RC-50-BC Dry Chemical, Sodium Bicarbonate, 50 lb |
| PC550696 | RC-50-ABC, Dry Chemical, Monoammonium Phosphate, 50 lb |



PC551265



PC551265 w/ PC550926 In Use



PC551265 w/ PC550926 In Use



PC550788



EZFILL In Use



PC551654



PC550393



PC550053

WARNING: This product may contain a chemical known to the State of California to cause cancer and/or birth defects or other reproductive harm.

In Use photos may show items not included or available separately.



PC551650



PC551653

NOZZLES

| P/N | DESCRIPTION |
|----------|-----------------|
| PC551650 | NV-WA Nozzle |
| PC551651 | NV-UF Nozzle |
| PC551652 | NV-P1 Nozzle |
| PC551653 | NV-DP2 Nozzle |
| PC552175 | NV-SW Nozzle |
| PC551098 | N-SCR Nozzle |
| PC551099 | N-OTF Nozzle |
| PC551100 | N-PLU Nozzle |
| PC551101 | N-DCT Nozzle |
| PC550337 | NF-TS Nozzle |
| PC551678 | NF-ABC Nozzle |
| PC550646 | N-LA-ABC Nozzle |
| PC550342 | N-LA-BC Nozzle |
| PC550669 | N-ATD Nozzle |



PC551099



PC551100

CAPS

| P/N | DESCRIPTION |
|----------|-------------------------------------|
| PC550333 | Nozzle Cap, Industrial |
| PC550644 | Nozzle Cap For N-LA-BC, N-LA-ABC |

ACCESSORIES

| P/N | DESCRIPTION |
|----------|---|
| PC550829 | PDA-D2 Pneumatic Discharge Adaptor |
| PC551511 | TD-10 Time Delay For Vehicle Paint Spray Booth |
| PC550812 | Dry Valve Assembly (Complete) |
| PC550037 | Rebuilding Kit (Dry Valve) |
| PC550025 | Pressure Gauge, 350 psi (Dry Valve) |



PC550333



PC550644

SERVICE TOOLS

| P/N | DESCRIPTION |
|----------|--------------------------|
| PC551736 | Blow-Down Adaptor Kit |
| PC550877 | VT-2 Dry Valve Tool |
| PC550130 | Recharge Kit (Dry Valve) |
| 10064 | 1/2" Hex Wrench |



PC551511



PC550812

PYRO-CHEM® COMMON SYSTEM PARTS

ACTUATOR CARTRIDGES (FIG 1) and O-rings must be periodically replaced in accordance with the **Pyro-Chem®** manual. (Refer to manual for replacement intervals and installation instructions.)
TIP: Make sure to check cartridge weight before installation.

| P/N | DESCRIPTION |
|----------|---|
| PC551059 | 16 g CO ₂ Actuator Cartridge |
| PC55531 | O-Ring For Actuator Cartridge |



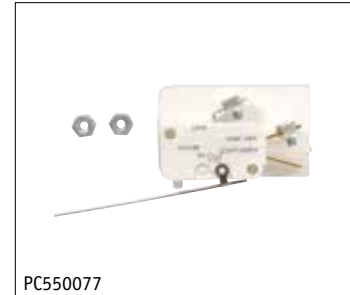
PC551059

MICROSWITCHES (FIG 1)

| P/N | DESCRIPTION |
|----------|------------------------------|
| PC550227 | SPDT Microswitch (Old Style) |
| PC550237 | DPDT Microswitch (Old Style) |
| PC551154 | SPDT Microswitch |
| PC551155 | DPDT Microswitch |
| PC551156 | 3PDT Microswitch |
| PC551157 | 4PDT Microswitch |
| PC550077 | Alarm Microswitch |
| PC552173 | Microswitch Extension Kit |



PC551154



PC550077

DETECTORS and PARTS (FIG 3).

| P/N | DESCRIPTION |
|----------|-----------------------|
| PC435547 | Series Detector ASM |
| PC435546 | Terminal Detector ASM |
| PC435545 | Scissor Linkage |
| PCFLH | Fusible Link Hanger |



PCFLH

CORNER PULLEYS (FIG 4)

| P/N | DESCRIPTION |
|----------|---------------------------|
| PC423250 | Compression Corner Pulley |
| PC415670 | Set Screw Corner Pulley |
| PC427929 | Tee Pulley |



PC423250



PC427929

GAS VALVES (FIG 5)

| P/N | DESCRIPTION |
|----------|-----------------------------|
| PC550593 | 3/4" Mechanical Gas Valve |
| PC550594 | 1" Mechanical Gas Valve |
| PC550595 | 1 1/4" Mechanical Gas Valve |
| PC550596 | 1 1/2" Mechanical Gas Valve |
| PC551049 | 2" Mechanical Gas Valve |
| PC550185 | 2 1/2" Mechanical Gas Valve |
| PC550186 | 3" Mechanical Gas Valve |



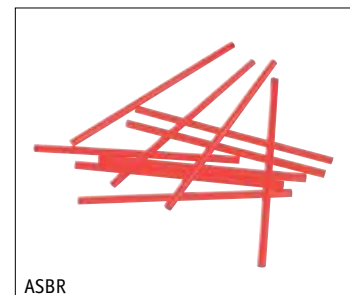
PC550595

REMOTE PULL STATION (FIG 6)

| P/N | DESCRIPTION |
|----------|---------------------------|
| PC551074 | Remote Pull (RPSM) |
| PC551167 | Electrical Remote Pull |
| ASBR | Remote Break Rods, Pkg/10 |



PC551074



ASBR