



Model 975XLFD

Reduced Pressure Principle Assembly with Fire Hydrant Connection

Application

Designed for direct connection to fire hydrant on temporary construction water lines to protect against both backsiphonage and backpressure of contaminated water into the potable water supply. Hose adapters allow for connection to 2 1/2" fire hydrant (inlet) and 2 1/2" fire hose (outlet). Assembly shall provide protection where a potential health hazard exists.

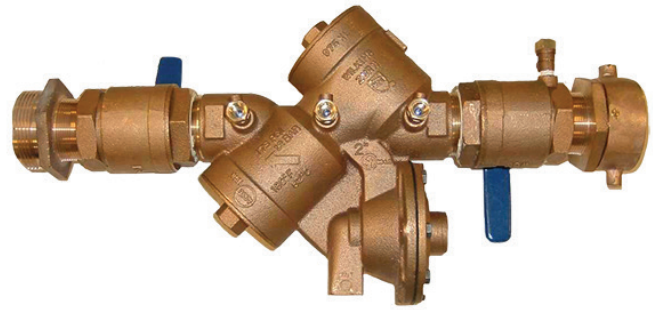
Standards Compliance

(Unless otherwise noted, applies to Model 975XL)

- ASSE® Listed 1013
- IAPMO® Listed
- UL® Classified (less shut-off valves or with OS&Y valves)
- C-UL® Classified
- CSA® Certified
- AWWA compliant C511
- Approved by the Foundation for Cross Connection Control and Hydraulic Research at the University of Southern California

Materials

Main valve body	Cast Bronze ASTM B 584
Access covers	Cast Bronze ASTM B 584
Fasteners	Stainless Steel, 300 Series
Elastomers	Silicone (FDA approved) Buna Nitrile (FDA approved)
Polymers	Noryl™, NSF Listed
Springs	Stainless steel, 300 series
Connections	Cast Bronze ASTM B 584



Options

(Suffixes can be combined)

- with full port QT ball valves (standard)
- ST - specify hose threads

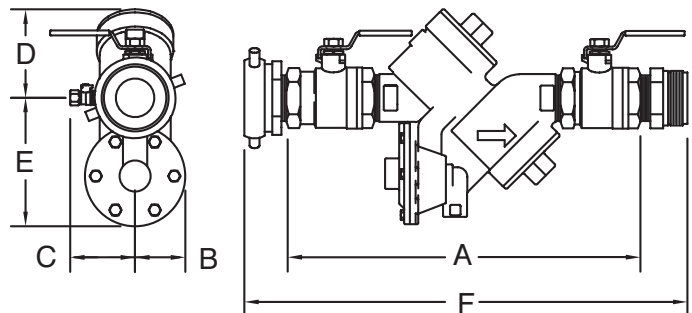
Accessories

- Repair kits (rubber only)
- QT-SET Quick Test Fitting Set

Features

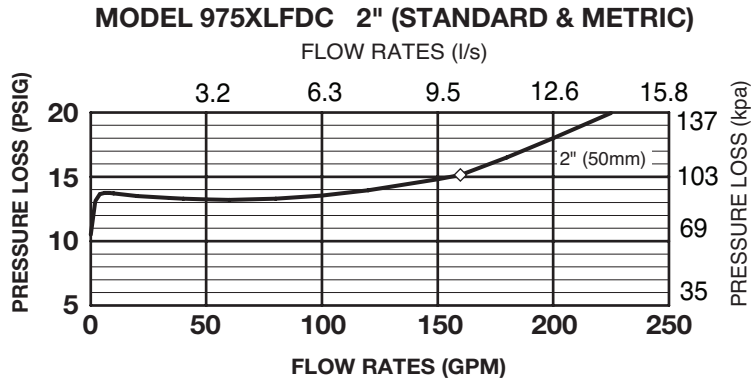
Sizes:	2"
Maximum rated flow rate	160 GPM
Maximum Intermittent flow rate	250 GPM
Maximum working water pressure	175 PSI
Maximum working water temperature	180°F
Hydrostatic test pressure	350 PSI
Ball valves connections	Threaded ANSI B1.20.1
Inlet/Outlet	NH
Hose connections (2 1/2")	Threaded (NST)
	(NFPA 1963)

Relief Valve discharge port:
2" - 1.19 sq. in



Dimensions & Weights (do not include pkg.)

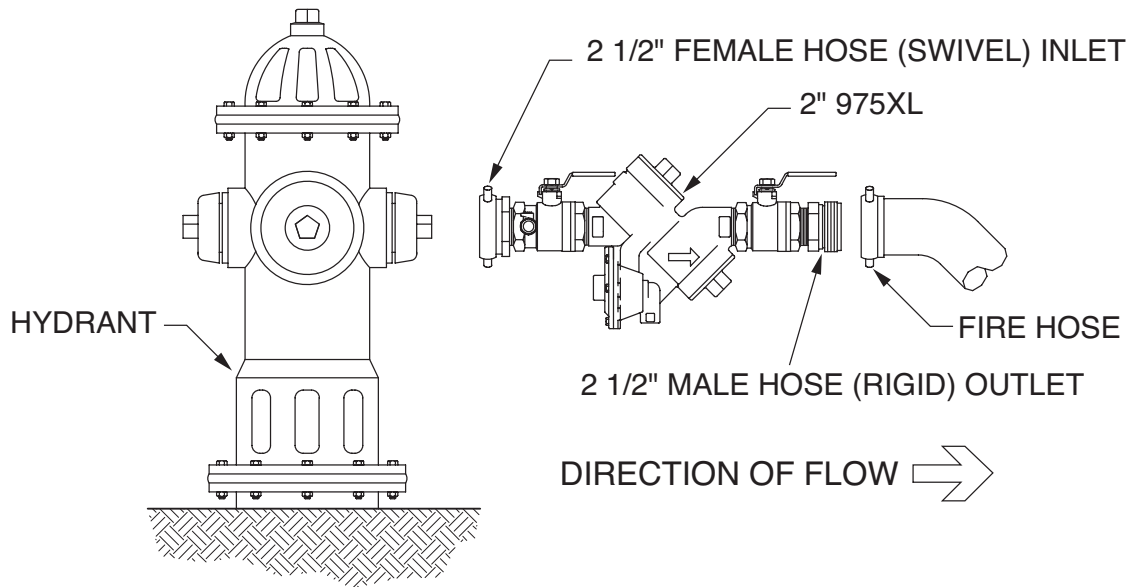
SIZE		DIMENSIONS (approximate)												WEIGHT	
		A		B		C		D		E		F			
in.	mm	in.	mm	in.	mm	in.	mm	in.	mm	in.	mm	in.	mm	lbs.	kg
2	50	18 1/2	470	2 11/16	68	3 1/2	89	5	127	6 11/16	170	22 1/4	565	37	17



Typical Installation

Local codes shall govern installation requirements. To be installed in accordance with the manufacturer’s instructions and the latest edition of the Uniform Plumbing Code. Unless otherwise specified, the assembly shall be mounted at a minimum of 12" (305mm) and a maximum of 30" (762mm) above adequate drains with sufficient side clearance for testing and maintenance. The installation shall be made so that no part of the unit can be submerged.

Capacity thru Schedule 40 Pipe				
Pipe size	5 ft/sec	7.5 ft/sec	10 ft/sec	15 ft/sec
1/8"	1	1	2	3
1/4"	2	2	3	5
3/8"	3	4	6	9
1/2"	5	7	9	14
3/4"	8	12	17	25
1"	13	20	27	40
1 1/4"	23	35	47	70
1 1/2"	32	48	63	95
2"	52	78	105	167



TYPICAL INSTALLATION

Specifications

The Reduced Pressure Principle Backflow Preventer shall be ASSE® Listed 1013, rated to 180°F and supplied with full port ball valves. The inlet connection shall be a 2 1/2" female hose swivel and the outlet connection shall be a 2 1/2" male hose coupling. The main body and access covers shall be bronze (ASTM B 584), the seat ring and all internal polymers shall be NSF® Listed Noryl™ and the seat disc elastomers shall be silicone. The first and second checks shall be accessible for maintenance without removing the relief valve or the entire device from the line. The Reduced Pressure Principle Backflow Preventer shall be a ZURN WILKINS Model 975XLFD.